

**GRAND LODGE OF SOUTH AFRICA
GROOTLOOSIE VAN SUID-AFRIKA**



YEAR BOOK ~ 2005 ~ JAARBOEK



WHEN IT COMES TO MINING AND INDUSTRIAL PRODUCTS, BERUC IS PROACTIVE, INNOVATIVE AND SERVICE ORIENTATED

Beruc Equipment (Pty) Ltd offers you superb design and quality in mining and industrial products. Our rubber linings and wear components have been locally designed and manufactured since 1984. We design and manufacture a large variety of different products and equipment for specific customer applications. Our products have been successfully used in all sectors of the mining industry in South Africa.



Beruc Mining Products

- Rubber grinding mill liners
- Wear plates for skips and bins
- Screen panels
- Truck body liners
- Belt scraper blades
- Pulley lagging
- Conveyor impact loading points
- Mill sealing rings

Beruc Industrial Products

- Special mouldings
- Diaphragms
- Bellows
- Conveyor or belt edging (convoluted)
- Special seals
- Vibration mountings
- Heat exchanger gaskets
- Bucket conveyor cleats

Beruc also designs and manufactures equipment for specific customer applications.



Tel: (011) 421 6761/14

Fax: (011) 845 1472

Email: beruceng@mweb.co.za

info@beruc.co.za

www.beruc.co.za



Beruc Equipment (Pty) Ltd, P.O Box 17260, Benoni West 1503

DUO ET COLLEGIO

For God and our Order / Vir God en ons Orde

Coat of Arms of the Grand Lodge of South Africa Registered at the Bureau of Heraldry,
Certificate No 1428 of 3 April 1987

Wapenskild van die Grootloosie van Suid-Afrika geregistreer by die Buro van Heraldiek,
Sertifikaatnommer 1428 van 3 April 1987



Arms: Or a square with corner baseward surmounted by a compass Gules;
on a chief Azure a sun in splendour; Or Crest: A lion couchant; Or Wreath; Or Gules,
Supporters: Two Springboks proper; collared On Motto: Deo et Collegio

INDEX

3	Coat of Arms.	32	Southern Division: Annual report.
4	The Grand Master, Most Wor. JT Bowen O.S.M.	36	Northern Division: Annual report.
5	The Assistant Grand Masters.	40	Central Division: Annual report.
6	Annual report of the Grand Master, 1st October 2005.	43	Eastern Division: Annual report.
10	Jaarsverslag van die Grootmeester	48	Eastern Cape Division: Annual report.
14	Grand Lodge Officers 2005/2006.	50	The Supreme Grand Royal Arch Chapter of South Africa. Annual report.
16	Grand Committee 2006.	54	Grand Chapter Officers, Meritorious Service Award to Royal Arch Freemasonry, Grand Superintendents.
17	Grand Lodge Standing Committees 2006.	55	Past Grand Chapter Officers.
18	Order of Service to Freemasonry. (O.S.M.).	56	Representatives to Sister Grand Chapters.
19	Past Grand Masters.	57	Chapter meeting and installation dates, 2005/2006
20	Past Officers of Grand Lodge.	58	Southern Division: Annual report.
23	Past Grand Lodge Rank Conferred.	60	Northern Division: Annual report.
25	Fifty year Masonic Service Jewel.	62	Supreme Council for South Africa.
27	Representatives to Sister Grand Lodges.		
30	Lodge meeting and installation dates, 2005/2006.		



THE GRAND MASTER DIE GROOTMEESTER



*Most Worshipful Bro. / Hoogeerwaarde Br.
J T BOWEN O.S.M.*



GRAND LODGE OF SOUTH AFRICA GROOTELOOSIE VAN SUID-AFRIKA

Established / Gestig 1961

Dep. Grand Master
Adj. Grootmeester



*Rt. Wor. Bro
A A R Alexander*

Asst. Grand Master
Asst. Grootmeester



*Rt. Wor. Bro.
R C Hindrichs*

Grand Secretary / Grootsekretaris
Rt. Wor. Bro. / SV Br. B C Johnson

Registered Office:
Grand Lodge Centre / Grootloosiesentrum.
75, 13th Street, Orange Grove
P.O. Box 46203, Orange Grove, 2119.

Telephone: (011) 640-1324
Fax: (011) 640-3915
e-mail: grandlodgesa@worldonline.co.za



Grand Lodge

GRAND LODGE OF SOUTH AFRICA

Grand Masters Annual Report. 1st October 2005 in Cape Town

Brethren, today is the 44th Annual Meeting of Grand Lodge and I extend to you all a hearty welcome and trust that you find the meeting both interesting and informative.

It is my unalloyed pleasure to report on the activities of your Grand Lodge for the year 2005. The Lodges, I am pleased to say are dealing with the continuously changing environment in a more positive manner, the negative attitude of the past has gone. This is I believe a move in the right direction.

There has been a continuing decline in our membership over the past twelve months. This decline was however expected. On a more positive note it is pleasing to report that our losses have reduced from a catastrophic rate to a mere trickle, more than 60% of our Lodges are maintaining or increasing their membership. One of the most gratifying aspects of the new members is that the average age is around 40 years, compared with the present average of 60 years.

COMMUNICATIONS: The Provincial Grand Lodges have made good progress in this area. The relationship with the Lodges in their various Divisions has improved 100% over the past 12 months. The old attitude of "them and us" seems to be a thing of the past. The Provincial Grand Lodges are now visiting Lodges and offering them assistance with their future planning. This has made an enormous difference, this was very much in evidence at the Master and Wardens meetings which were attended by either the assistant Grand Masters or myself.

EDUCATION: The Grand Lodge Masonic Education Course was launched on January 11th of this year, and it pleases me to report that it has been well received. As of today's date there are twelve brethren studying the apprentice degree section. A few Lodges have made it compulsory that a brother seeking advancement from one degree to another must write a paper on the degree he is wishing to be advanced from. The future of Freemasonry depends on how well we educate and retain our members. Over the next twelve months, it is the intention of Grand Lodge to

have its Masonic lectures translated into Afrikaans. These will be made available as and when they are completed.

GRAND LODGE OFFICERS: The Grand Lodge Officers have once again given tremendous support to Grand Lodge both on official and unofficial call outs, thank you brethren for your unstinting support. To the commissioned officers, Right Worshipful Brother Adrian A R Alexander and Right Worshipful Brother Roland C Hinrichs, Assistant Grand Masters, I thank you for all the time given in support of Grand Lodge and myself. Without your assistance my job would certainly have been a lot more difficult. I would be failing in my duty if I did not thank the following past commissioned officers, Right Worshipful Brother M Levin, Right Worshipful Brother A van Niekerk, (Past Deputy Grand Masters), Right Worshipful Brother P H Ferreira, Right Worshipful Brother A Watson, (Past Assistant Grand Masters), for leading Grand Lodge delegations during the course of the year, thank you brethren for your much appreciated help and support.

FINANCES: Brethren, like any other organisation Grand Lodge has its checks and balances and in a few moments, the Grand Treasurer Very Worshipful Brother F. P. Coetzee will present and call for the acceptance of the Grand Lodge financial accounts.

The Chairman of the Finance Committee, Most Worshipful Brother B.G. Lindeque, and the Grand Treasurer continue to ensure that our expenditure is kept within the bounds of the budget. However Brethren, due to the drop in the bank interest rates and the effect of the lower returns on our investments, the Grand Lodge Finance Committee is left with no other alternative but to increase capitation fees by an amount commensurate with the requirements to operate your Grand Lodge effectively. Brethren, I thank you for your support in the past and I now request that you enthusiastically support the future of your Grand Lodge, by ensuring the finances required are forthcoming over the next 10 years.

GRAND LODGE SECRETARIAT: The Grand Secretary, Right Worshipful Brother Barry Johnson, has continued to cope with the administration pressures of dealing with the day-to-day activities of Grand Lodge. He is very fortunate to have a very capable assistant in Mrs Moira van Dyk. Together, they make a very efficient team, which I am sure that, like myself, you have found to be



most helpful. The Grand Lodge office, with the assistance of the finance Committee, has continued to look for ways to reduce its expense budget and provide a more cost effective service.

On a less positive note, the Membership Computer System is not functioning as it should. The programme designer, Worshipful Brother Jack Norris, has assured me that the system will be on line by February 28th 2006. To the Grand Secretary and his assistant, I take this opportunity to thank you for all that you do for our Grand Lodge and for going that extra mile.

CONSECRATION: One of the highlights of the year was the consecration of Lodge Flaming Star, Number 139. This was history in the making, for it is the first Lodge in the Northern Division that will be dedicated to research. The Lodge will meet every 3 months as a Dining Lodge at the Grand Lodge Centre Orange Grove. 91 Mason's were present at the consecration, which was chaired by myself, and I was assisted by a large delegation of Grand Lodge Officers. Lodge Lyceum, of the English Constitution, and Lodge Century, of the Scottish Constitution, both being Lodges of research were in attendance.

The installation of the Charter Master, Worshipful Brother Mark Botha and Officers of the Lodge was carried out under the chairmanship of Right Worshipful Brother Johan Olivier, Provincial Grand Master Northern Division, who fulfilled his task with great aplomb. What a wonderful sight it was to see so many brethren present. I believe that each Province should have at least one Lodge of Research available to the members of the individual Lodges. I wish this Lodge long life and much success for the future.

INTERNATIONAL RELATIONS: The Grand Lodge is in amity with 118 Grand Lodges through out the world. Over the last twelve months, the following Grand Lodges have applied for recognition and the exchanging of Grand representatives.

- Mauritius • du Niger
- Cameroon's • Bulgaria

In keeping with its conservative approach, the International Relations Committee have recommended that Grand Lodge should afford recognition to the Grand

Lodge of Mauritius. The remaining applicants are still being investigated. Within the boundaries of South Africa, the relationship between our Provincial Grand Lodges and the District Grand Lodges of the United Grand Lodge of England, the Provincial Grand Lodges of Ireland and the District Grand Lodges of Scotland continue to blossom.

MASONIC HOMES: The Southern Divisions homes and their newest acquisition, the Home for Quadriplegics, are all running well. These homes are administered on a day-to-day bases by various committees, Burchell house is under the guidance of Worshipful Brother Nick Leary, Teds House by Worshipful Brother Royal (Jacky) Wentzel, Desmain Lodge by Worshipful Brother Brian Rossouw and the home for Quadriplegics under the guidance of Right Worshipful Brother Hennie Ferreira. The residents of both Burchell house and Teds house were entertained by the brethren of Lodge Hiram to an afternoon of Christmas in July where gifts were given to the residents what a wonderful thought by the brethren of Lodge Hiram. Thank you brethren I hope that your gesture will encourage other Lodges to do the same.

APPOINTMENTS AND RETIREMENT: It gives me great pleasure to announce that Right Worshipful Brother Adrian A R Alexander, Assistant Grand Master, will be obligated and invested as Deputy Grand Master, Very Worshipful Brother Chris W Barnard as Grand Junior Warden and Worshipful Brother J H Bredenkamp as Grand Ambassador. The appointments are to be effective as from today, the first of October 2005.

I am sure that you will all join me in wishing them well in their respective offices.

Today, we take leave of Right Worshipful Brother H D G (Klasie) Viljoen, Grand Senior Warden, who has requested retirement from active office, and Very Worshipful Brother Stuart Newby-Fraser Grand Master of Ceremonies. Right Worshipful Brother H D G (Klasie) Viljoen has served Grand Lodge for the past ten years. He has served as chairman of the Constitution, Regalia and Procedures Committee, he was editor for a number of years of the Grand Lodge yearbook and the Grand Lodge News Letter; Very Worshipful Brother Stuart Newby-Fraser was an excellent Grand Master of Ceremonies. Both of these brethren have always carried out there duties with distinction and dignity. For this I thank them, they will be sorely missed. We wish them well in their retirement.

continues on next page.

continued from previous page

PAST GRAND RANK CONFERRED:

The following brethren will receive Conferred Rank:

- G H Burchell - Lodge Cape Town (Grand Junior Warden)
- P J Henning - Lodge Central Free State (Grand Architect)
- B Rossouw - Lodge Cape Town (Grand Inner Guard)
- N Leary - Lodge De Goede Hoop (Grand Inner Guard)
- C Moroukian - Lodge Cape Town (Grand Inner Guard)
- W Prentzler - Lodge Mutual (Grand Inner Guard)
- P Greeff - Lodge Makalani (Grand Steward)
- J C Greyling - Lodge Bartholomeus Diaz (Grand Inner Guard)

NAMIBIA: On the 2nd of July 2005 Lodge Makalani held its second Festival of Installation under the control Grand Lodge, Wor Bro Heimo Schaum, the Assistant Provincial Grand Master Northern Division, organised a luxury bus to transport the Brethren from Johannesburg to Grootfontein, a journey of some 2000 kms. The support from the brethren was once again outstanding. A total of 45 brethren from all over the country travelled to Grootfontein made up of 19 from the Northern Division, 9 from the Southern Division, 9 from the Central Division, 4 from the Eastern Division and 4 from Grand Lodge.

The Provincial Grand Lodge Northern Division had the honour of being the installing Province. The installing team, headed by Provincial Grand Master Right Worshipful Brother Johan Olivier conducted the installation in a very professional manner, which I am sure was enjoyed by all those present. The retiring master Worshipful Brother C. F. (Monty) Montgomery, having served as Master of the Lodge for three consecutive years, was given the honorary rank of Past Provincial Grand Lodge Ambassador. The banquet on the Saturday evening, was outstanding. Brethren and Ladies of Lodge Maharani, on behalf of all the visitors I thank you for the wonderful repast and your kind hospitality.

FIFTY YEAR MASONIC SERVICE AWARD:

The following Brethren have, over the last twelve months, been awarded the fifty year continues service jewel.

I ask you to join me in wishing them well and long life for the future. They are an example to us all, and as I have said before, 50 years is a lifetime of service, which many of us, who are travelling along the same path, will not see.

- W Bro I Schmahmann - Lodge Star of the Rand N° 15
- M W Bro C G Groenewald - Lodge Albert J Haak N° 60
- Rt W Bro WC Snyman - Lodge Jacob de Mist N° 44
- W Bro L Lande - Lodge Friendship N° 95
- Bro J C M Germushuizen - Lodge de Vereeniging N° 3
- W Bro A Gerson - Lodge Hiram N° 108

GRAND LODGE BOOK OF CONSTITUTION:

The Grand Lodge Book of Constitution has now been finalised after having been set out in a more user-friendly format. It is available from all Provincial Grand Lodge Offices. I would like to remind you that according to Article 79.10 of the Book of Constitution, each Lodge and Brother must be in possession of the latest version of the constitution.

ROYAL ARCH MASONRY: The Royal Arch, in consultation with Grand Lodge, is looking to solve the membership problem that they are facing. On the 13th of August 2005, I travelled to Cape Town, accompanied by the Past Grand Master, Most Worshipful Brother B. G. Lindeque and the Provincial Grand Master, Right Worshipful Brother J. H. C. Olivier to attend the Provincial Grand Chapter meeting of Southern Division and the Supreme Grand Chapter. The first meeting, that of the Provincial Grand Chapter, was very well attended. At this meeting, Most Excellent Companion Graham Sumner, was installed as the Grand Superintendent for the Southern Division. I wish him well for the future. The second meeting, that of the Supreme Grand Chapter was, I am sorry to say, very poorly attended. This was a big disappointment to me, as this was the most important meeting of the day. At this meeting, Most Excellent Companion Alf Rhodie, was installed as third Grand Principal. Both meetings were chaired in an excellent manner by the First Grand Principal Most Excellent Companion P. J. Naude.

On the Friday evening prior to the Chapter meetings, the First Grand Principal hosted a dinner for the Grand Lodge officers and Grand Chapter officers, which I am pleased to say, was most enjoyable. Most Excellent Companion Naude, I thank you for your Hospitality.

ANCIENT AND ACCEPTED SCOTTISH RITE:

Grand Lodge has an excellent relationship with the Ancient and Accepted Scottish Rite. Members of the Rite have given wonderful support to Grand Lodge over the past twelve months. The Sovereign Grand Commander,

Grand Lodge of South Africa

2005

GRAND LODGE OF SOUTH AFRICA ~ YEAR BOOK | GROOTLOOSIE VAN SUID-AFRIKA ~ JAARBOEK



Most Puissant Brother M. Milanesi, has supported Grand Lodge on many of its official call outs. To you Most Puissant Brother, it is very much appreciated and thank you.

Most Puissant Brother Milanesi, Most Worshipful Brother B. G. Lindeque and I meet on a regular basis to update one another on future developments and of items of mutual benefit to Freemasonry. This communication is I believe, essential, if we are to remain strong. Brethren, Thank you for your time and effort and your co-operation.

BEST SECRETARY AWARD: The award for “Best Secretary of the year” goes to Worshipful Brother P. J Henning of Lodge Central Free State No 35. where he has served as secretary for the past ten years. He also holds the office of Assistant Provincial Grand Master in the Central Division. Worshipful Brother Henning, on behalf of the brethren and myself I congratulate you and thank you for a job well done.

CONCLUSION: There are many ways to increase our membership, one way is to advertise. I know that Freemasonry forbids us from the solicitation of members, but there is no reason why we cannot promote the good image of Freemasonry. As Freemasons, we must all be membership driven. This should be based on making all our members feel at home and wanted. Our members must be kept active and involved in all aspects of the Craft. For us to be successful depends on you and me, it’s not what we do, but how we do it.

I recently read in one of the Grand Lodge of Illinois publications, that the Grand Lodge of New York ran a series of adverts in the local cinemas prior to the starting of the film. One ad showed George Washington, Andrew Jackson, Gerald Ford and John Glen, with a statement; “They took our leadership course, you can too!” Brethren, I believe that any media technique that presents Freemasonry in a positive light to the public is a good thing and should be encouraged. Brethren let this years bywords be:

Support, Participation and Commitment.

Brethren, the purpose of Freemasonry simply stated, is to seek that which is the most worth in the world; to exalt the dignity of every person, the human side of our activities, and the maximum service to humanity; to aid

mankind’s search in God’s universe for identity, for development and for destiny, and thereby achieve better men in a better world, happier men in a happier world and wiser men in a wiser world. (Henry C. Clausen)

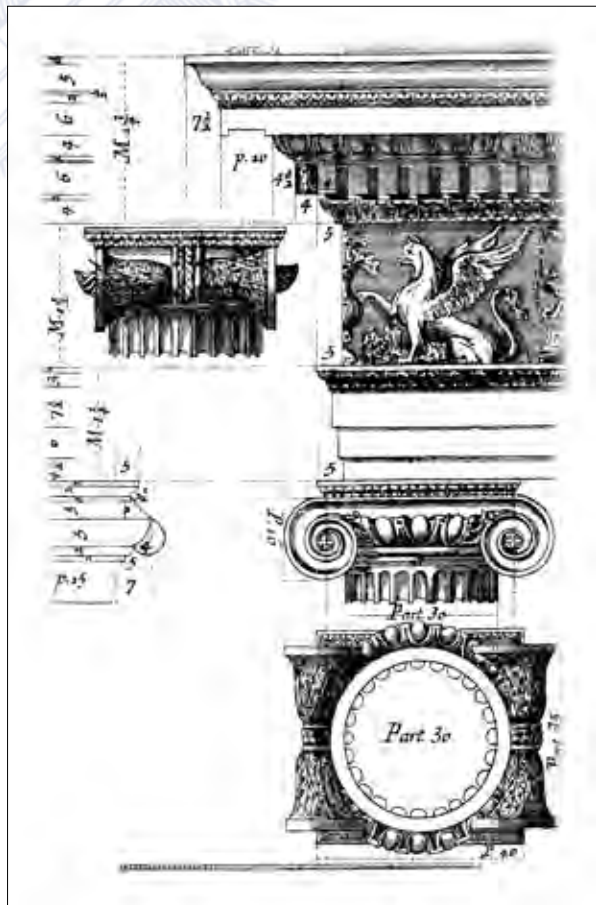
Mohandas K (Mahatma) Gandhi said, “I am my messenger”. Your words and behaviour are just representations of your real self. Don’t chip away at integrity.

Monday the 3rd of October is the start of the Jewish New Year (Rosh Hashanah). I would like to take this opportunity on behalf of Grand Lodge and myself to wish all the Brethren of the ancient faith a wonderful new year and well over the fast.

Brethren, I trust that you will all have a safe journey home to your loved ones

Thank you brethren.

*John T Bowen O.S.M.
Grand Master.*





GROOTLOOSIE VAN SUID - AFRIKA

Jaarverslag Van Die Grootmeester 1st Oktober 2005 Te Kaapstad

Broeders, vandag is die 44ste Jaarvergadering van Grootlosie en u word almal hartlik verwelkom en ek vertrou dat u die vergadering interessant en leersaam sal vind. Dit is vir my 'n plesier om oor Grootlosie aktiwiteite vir die jaar 2005 verslag te lewer. Dit is verblydend om te sien dat die Losies die voortdurende veranderde omgewing op 'n meer positiewe manier benader en dat die negatiewe houding iets van die verlede is. Ek glo dat dit 'n stap in die regte rigting is.

Daar was 'n ononderbroke afname in ons ledetal gedurende die afgelope twaalf maande. Hierdie afname was egter te verwagte. Op 'n meer positiewe noot is dit verblydend om te berig dat ons verliese vanaf 'n katastrofiese getal na slegs 'n druppel verminder het – meer as 60% van ons Losies volhou of vermeerder hulle ledetal. Een van die mees bemoedigende aspekte is dat die nuwe lede se gemiddelde ouderdom om en by 40 jaar is, as dit vergelyk word met die huidige gemiddelde van 60 jaar.

KOMMUNIKASIE: Die Provinsiale Grootlosies maak goeie vordering in hierdie opsig. Die verhouding met die Losies in die verskillende Afdelings het 100% verbeter oor die afgelope 12 maande. Die ou houding van “hulle en ons” blyk iets van die verlede te wees. Die Provinsiale Grootlosies lê nou besoek af by die Losies en bied hulp aan met hulle toekomstige beplanning. Dit het 'n enorme verskil gemaak en dit was duidelik merkbaar by die Meester en Opsieners vergaderings wat óf deur die Assistent Grootmeesters, óf myself bygewoon is.

ONDERRIG: Die Grootlosie Masonieke Onderrigkurses is op 11 Januarie vanjaar van stapel gestuur en dit verbly my om te berig dat dit baie goed ontvang is. Vanaf vandag se datum is daar twaalf Broeders wat die Leerling Graad bestudeer. 'n Paar Losies het dit verpligtend gemaak vir 'n Broeder wat bevordering verlang vanaf een graad na 'n ander, om 'n lesing oor die graad waarvan hy bevordering soek, te skryf. Die toekoms van Vrymesselary hang af van hoe goed ons ons lede onderrig en behou. Dit is Grootlosie se voorneme om oor die volgende twaalf maande die Masonieke lesings in Afrikaans te vertaal en dit sal beskikbaar gestel word wanneer dit voltooi is.

GROOTLOOSIE AMPSDRAERS: Die Grootlosie ampsdraers het weereens geweldige ondersteuning aan Grootlosie gegee op beide amptelike en nie-amptelike besoeke. Dankie Broeders vir julle lojale ondersteuning. Aan die Gevolmagtigde Ampsdraers, SV Broeder Adrian A R Alexander en SV Broeder Roland Hinrichs, Assistent Grootmeesters, ek dank u vir al die tyd wat u in ondersteuning aan Grootlosie en myself gee. Sonder julle bystand sou my taak seer sekerlik baie moeiliker gewees het.

Ek sal my plig versuim as ek nie die volgende Gevolmagtigde Ampsdraers: SV Broeder M Levin, SV Broeder A van Niekerk (Oud Adjunk Grootmeesters), SV Broeder P H Ferreira, SV Broeder A Watson (Oud Assistent Grootmeesters) – bedank dat hulle Grootlosie afvaardigings gelei het gedurende die jaar. Broeders, baie dankie vir julle gewaardeerde hulp en ondersteuning.

FINANSIES: Broeders, net soos enige ander organisasie het Grootlosie ook sy remme en teenwigte en in 'n paar oomblikke sal die Grootpenningmeester, SA Broeder F P Coetzee, die finansieële state van Grootlosie voorlê en vra dat dit aanvaar word. Die Voorsitter van die Finansieskomitee, H E Broeder B G Lindeque en die Grootpenningmeester sal voortgaan om te verseker dat ons uitgawes binne perke van die begroting bly. Nietemin Broeders, as gevolg van die verlaging in die bank rentekopers en die gevolg van die laer opbrengs op ons beleggings, is die Grootlosie Finansieskomitee verplig om die kapitatie fooi te verhoog met 'n bedrag gelykmatig met die vereistes om sodoende Grootlosie effektief te bestuur. Broeders, ek dank u vir u ondersteuning in die verlede en ek vra u nou dat u geesdriftig die toekoms van u Grootlosie ondersteun deur te verseker dat die finansies wat benodig word oor die volgende 10 jaar beskikbaar sal wees.

GROOTLOOSIE SEKRETARIS: Die Grootsekretaris, SV Broeder Barry Johnson, het volhou om tred te hou met die administrasiedruk van die dag – tot - dag aktiwiteite van Grootlosie. Hy is baie gelukkig om 'n bekwame assistent soos Mev. Moira van Dyk te hê om hom by te staan en saam maak hulle 'n baie gedugte span en soos ek, het u ook seker gevind dat hulle baie behulpsaam is. Die Grootlosie kantoor, met die bystand van die Finansieskomitee, is voortdurend op soek na metodes om die uitgawes van die begroting te verminder en om 'n meer koste effektiewe diens te lewer.



Op 'n minder positiewe noot, egter, funksioneer die Ledetal Rekenaar Stelsel nog nie soos dit moet nie. Die program opsteller, Agb.Br.Jack Norris het my egter die versekering gegee dat die stelsel teen 28 Februarie 2006 op lyn sal wees. Ek wil van hierdie geleentheid gebruik maak om die Grootsekretaris en sy assistent te bedank vir alles wat u vir Grootloosie doen en vir daardie ekstra bietjie wat u insit.

INWYDING: Een van die hoogtepunte van die jaar was die inwyding van Losie Flaming Star Nr.139. Geskiedenis is gemaak aangesien dit die eerste Losie in die Noordelike Afdeling is wat gewy gaan word aan navorsing. Die Losie sal elke 3 maande as 'n Dinee Losie by Grootloosie Sentrum, Orange Grove vergader. 91 Vrymesselaars was teenwoordig by die inwyding wat gelei was deur myself en ek is bygestaan deur 'n groot afvaardiging van Grootloosie Ampsdraers. Losie Lyceum, van die Engelse Konstitusie, en Losie Century van die Skotse Konstitusie (albei navorsing Losies) was ook teenwoordig.

Die bevestiging van die Oktrooimeester, Agb Br. Mark Botha en Ampsdraers van die Losie was waargeneem onder die voorsitterskap van SV Br. Johan Olivier, Provinsiale Grootmeester van die Noordelike Afdeling wat sy taak met groot selfversekerdheid uitgevoer het. Wat 'n wonderlike gesig was dit om soveel Broeders teenwoordig te sien. Ek glo dat elke Provinsie ten minste een Navorsingslosie tot die beskikbaarheid van die individuele Losies moet hê. Ek wens hierdie Losie 'n lang lewe toe en baie sukses vir die toekoms.

BUITELANDSE BETREKKINGE: Grootloosie verkeer op vriendskaplike voet met 118 Grootlosies dwarsdeur die wêreld. Gedurende die afgelope twaalf maande het die onderstaande Grootlosies aansoek om erkenning en die uitruil van Groot Verteenwoordigers gedoen:

- Mauritius
- Kamaroen
- Niger
- Bulgaria

In ooreenstemming met sy konserwatiewe benadering, het die Buitelandse Betrekkingskomitee aanbeveel dat Grootloosie erkenning gee aan Mauritius. Die ander aplikante word nog ondersoek. Binne die grense van Suid Afrika groei die goeie betrekkinge tussen ons Provinsiale

Grootlosies en die Distrik Grootloosie van die Verenigde Grootloosie van Engeland, die Provinsiale Grootloosie van Ierland en die Distrik Grootloosie van Skotland.

MASONIEKE TUISTES: Die tuistes van die Suidelike Afdeling en sy nuutste toevoeging, 'n tuiste vir kwadrupleë, vorder almal baie goed. Hierdie tehuse word op 'n dag tot dag basis behartig deur verskillende komitees. Burchell Huis is onder die toesig van Agb.Br.Nick Leary, Teds Tehuis onder Agb.Br.Royal (Jacky) Wentzel, Desmain Tehuis onder Agb.Br.Brian Rossouw en die Tehuis vir Kwadrupleë is onder die bestuur van SV Br.Hennie Ferreira.

Die inwoners van beide Burchell Huis en Teds Huis is getraakteer deur die Broeders van Losie Hiram op 'n Kersfees middag in Julie en geskenke is aan die inwoners oorhandig. Wat 'n wonderlike gedagte van die Broeders van Losie Hiram. Baie dankie Broeders, ek vertrou dat u gebaar ander Losies sal aanspoor om dieselfde te doen.

AANSTELLINGS EN UITTREDE: Dit is vir my 'n plesier om aan te kondig dat SV Br.Adrian A R Alexander, Assistent Grootmeester, ingesweer en bevestig sal word as Adjunk Meester, SA Br.Chris Barnard as Groot Tweede Opsiner en Agb.Br.J H Bredenkamp as Grootambassadeur. Hierdie aanstellings tree in werking van vandag, die eerste Oktober 2005. Ek is seker u sal almal by my aansluit en hierdie Broeders alles van die beste toewens in hulle onderskeie nuwe ampte.

Vandag neem ons afskeid van SV Br. H D G (Klasie) Viljoen, Groot Eerste Opsiner, wat gevra het om onthef te word van aktiewe diens, en SA Br. Stuart Newby-Fraser, Grootseremoniemeester. SV Br.H D G (Klasie) Viljoen het die afgelope 10 jaar in diens van Grootloosie gestaan. Hy was die Voorsitter van die Konstitusie, Regalia en Prosedure Komitee, en hy was die Redakteur van die Grootloosie Nuusbrief vir 'n aantal jare; SA Br.Stuart Newby-Fraser was 'n uitstaande Grootseremoniemeester. Albei hierdie Broeders het altyd hulle pligte met onderskeiding en waardigheid uitgevoer. Hiervoor wil ek hulle bedank. Hulle sal gemis word maar ons wens hulle alles van die beste toe met hulle aftrede.

continues on next page.

continued from previous page

oud Grootloosie Range toegeken:

Aan die onderstaande Broeders sal Oud Range toegeken word:

- G H Burchell - Losie Cape Town (Groot Tweede Opsiner)
- P J Henning - Losie Central Free State (Grootboumeester)
- B Rossouw - Losie Cape Town (Grootbinnewag)
- N Leary - Losie De Goede Hoop (Grootbinnewag)
- C Moroukian - Losie Cape Town (Grootbinnewag)
- W Prentzler - Losie Mutual (Grootbinnewag)
- P Greeff - Losie Makalani (Groothofmeester)
- J C Greyling - Losie Bartholomeus Diaz (Grootbinnewag)

NAMIBIA: Op die 2de Julie 2005 het Losie Makalani sy tweede Bevestigings Feesviering gehou onder die beheer van Grootloosie. Agb.Br.Heimo Schaum, die Assistent Provinsiale Grootmeester van die Noordelike Afdeling het 'n luukse bus georganiseer om die Broeders vanaf Johannesburg na Grootfontein te vervoer, 'n afstand van ongeveer 2000 kilometers. Die ondersteuning van die Broeders was weereens uitstaande. 'n Totaal van 45 Broeders van oral oor die land, bestaande uit 19 van die Noordelike Afdeling, 9 van die Suidelike Afdeling, 9 van die Sentrale Afdeling, 4 van die Oostelike Afdeling en 4 van Grootloosie, het na Grootfontein gereis.

Die Provinsiale Grootloosie van die Noordelike Afdeling het die eer gehad om die bevestiging te doen. Die bevestigings amptenare, onder leiding van die Provinsiale Grootmeester, SV Br. Johan Olivier, het die bevestiging in 'n baie professionele wyse uitgevoer en ek is seker almal teenwoordig het dit geniet. Die Uittredende Meester, Agb.Br.C F (Monty) Montgomery wat drie termyn as Meester van die Losie uitgedien het, het die ere-rang van Oud Provinsiale Grootloosie Ambassadeur ontvang. Die banket op die Saterdag was van hoë gehalte. Broeders en dames van Losie Makalani, namens al die besoekers wens ek u te bedank vir die wonderlike maal en u vriendelike gasvryheid.

Sieraad vir Vyftig Jaar Masonieke Diens:

Die onderstaande Broeders het gedurende die afgelope twaalf maande die vyftig jaar onafgebroke diensjuweel ontvang. Ek vra u om by my aan te sluit om hulle alles van

die beste toe te wens en dat daar nog 'n lang lewe op hulle wag. Hulle is 'n voorbeeld vir ons en soos ek reeds vantevore gesê het, 50 jaar is 'n leeftyd van diens wat baie van ons wat op dieselfde paadjie wandel nie sal sien nie.

- Agb.Br. I Schmahmann - Losie Star of the Rand Nr.15
- H E Br. C G Groenewald - Losie Albert J Haak Nr. 60
- SV Br. W C Snyman - Losie Jacob de Mist Nr. 44
- Agb.Br. J C M Germushuizen - Losie Friendship Nr. 95
- Br. L Lande - Losie de Vereeniging Nr. 3
- Agb.Br. A Gerson - Losie Hiram Nr. 108

GROOTLOOSIE GRONDWET:

Die Grootloosie Grondwet is nou gefinaliseer nadat dit oorgesig is in 'n meer gebruiker-vriendelike formaat. Dit is beskikbaar vanaf alle Provinsiale Grootloosie kantore. Ek wil u graag daarop attend maak dat volgens Artikel 79.10 van die Grondwet, elke Losie en Broeder in besit moet wees van die jongste weergawe van die Grondwet.

KONINGKLIKE GEWELF:

Die Koninklike Gewelf, in samewerking met Grootloosie, is op die uitkyk hoe om die ledetal probleem wat hulle ervaar, op te los. Op die 13de Augustus 2005 het ek na Kaapstad gereis, vergesel van die Oud Grootmeester, H E Br. B G Lindeque en die Provinsiale Grootmeester, SV Br. J H C Olivier om die Provinsiale Groot Koninklike Gewelfkapittel vergadering van die Suidelike Afdeling, asook die van die Opperste Groot Gewelfkapittel, by te woon. Die eerste vergadering, die van die Provinsiale Groot Koninklike Gewelfkapittel, was baie goed ondersteun. Op hierdie vergadering is die 1ste Groot Prinsipaal Graham Sumner ingehuldig as Grootsuperintendent vir die Suidelike Afdeling. Ek wens hom alle sterkte toe vir die toekoms. Die tweede vergadering, die van die Opperste Groot Koninklike Gewelfkapittel, was, ek is jammer om te sê, baie swak byge- woon. Dit was vir my 'n baie groot teleurstelling aangesien dit die mees belangrikste vergadering van die dag was. Op hierdie vergadering is Seer Verhewe Broeder Alf Rhoodie ingehuldig as Derde Groot Prinsipaal. Albei die vergaderings was uitstekend gelei deur die Seer Verhewe Eerste Groot Prinsipaal P J Naude.

Op die Vrydag aand voor die vergadering het die Eerste Groot Prinsipaal 'n dinee vir die Grootloosie Ampsdraers en Groot Gewelfkapittel ampsdraers voorgesig wat baie aangenaam was. Seer Verhewe Broeder Naude, ek dank u vir u gasvryheid.



ALOU EN AANGENOME SKOTSE RITE:

Grootloosie het 'n uitstekende verwantskap met die Aloue en Aangenome Skotse Rite. Lede van die Rite het wonderlike ondersteuning aan Grootloosie oor die afgelope twaalf maande gegee. Die Soewereine Groot Kommandeur, Mees Puissant Br. Mauro Milanesi het Grootloosie op menige amptelike besoeke ondersteun. Aan u, Mees Puissant Broeder, dit word baie gewaardeer en ek dank u.

Mees Puissant Broeder Milanesi, HE Br. B G Lindeque en ek ontmoet op 'n gereelde basis om mekaar in te lig oor toekomstige verwickelinge en besprekingspunte van wedersydse belang vir Vrymesselary. Ek glo hierdie kommunikasie is baie belangrik as ons sterk wil bly. Broeders, dankie vir u tyd en die wyer en u samewerking.

BESTE SEKRETARIS VAN DIE JAAR: Die toekening vir die "Beste Sekretaris van die Jaar" gaan aan Agb. Br. P J Henning van Losie Central Free State Nr.35 waar hy hierdie posisie die afgelope tien jaar vervul. Hy is ook die Assistent Provinsiale Grootmeester van die Sentrale Afdeling. Agb.Br. Henning, namens die Broeders en myself wens ek u geluk en bedank u vir die wyse waarop u, u pligte uitvoer.

OPSOMMEND: Daar is baie maniere om ons ledetal te verhoog en een daarvan is om te adverteer. Ek is bewus daarvan dat Vrymesselary ons verbied om lede te werf maar daar is geen rede hoekom ons nie die goeie eienskappe van Vrymesselary kan bevorder nie. As Vrymesselaars moet ons almal daarop uit wees om ledetal te verhoog. Dit moet gedoen word deur om al ons lede beide tuis, en dat hulle benodig word, te laat voel. Ons lede moet aktief gehou word in alle opsigte van die Vakloosies. Vir ons om suksesvol te wees hang af van u en my. Dit is nie wat ons doen nie, maar hoe ons dit doen.

Ek het onlangs in een van die Grootloosie van Illinois se publikasies gelees dat die Grootloosie van New York, voor die aanvang van die rolprent, 'n reeks artikels in die plaaslike bioskope geadverteer het. Een advertensie het George Washington, Andrew Jackson, Gerald Ford en John Glen gewys met die verklaring "Hulle het ons leierskap kursies gevolg – jy kan ook" Broeders, ek glo dat enige publisiteitsmedia wat Vrymesselary in 'n positiewe lig aan die publiek oordra goed is en aangemoedig moet word. Broeders laat hierdie jaar se leuse as volg wees "Bystand, Deelname en Toewyding".

Broeders, die doel van Vrymesselary, eenvoudig gestel, is om te soek na dit wat die meeste werd is in die wêreld; om elke persoon se waardigheid te verhef, die menslike aspek van ons aktiwiteite en die maksimum diens aan die mensdom; om die mensdom se soeke na God se heelal vir identiteit, ontwikkeling en bestemming aan te help en daardeur beter manne in 'n beter wêreld, gelukkiger manne in 'n gelukkiger wêreld en wyser manne in 'n wyser wêreld te volbring. (deur Henry C Clausen).

Mohandas K (Mahatma) Gandhi het gesê: "Ek is my boodskapper". U woorde en gedrag is verteenwoordigend van u eie persoonlikheid. Moet nie u integriteit beskadig nie.

Maandag, die 3de Oktober is die begin van die Joodse Nuwejaar (Rosh Hashanah). Ek maak graag van hierdie geleentheid gebruik om namens Grootloosie en myself alle toepaslike Broeders 'n wonderlike Nuwejaar toe te wens en mag dit met u goed gaan gedurende u vastyd.

Broeders, ek vertrou dat u veilig na u bestemming en geliefdes sal terugkeer.

Broeders, ek dank u.

John T Bowen, O.D.V.
Grootmeester.





OFFICERS OF THE GRAND LODGE OF SOUTH AFRICA, 2005 / 2006

OFFICE	NAME	ADDRESS	TEL. NO. BUSINESS	FAX. NO	TEL. NO
GRAND MASTER	M W Bro. J T BOWEN OSM	P O BOX 25087		(012) 997-3898	(012) 997-3898
		MONUMENT PARK 0105	jtbowen@mweb.co.za		082 807 1649
DEPUTY GRAND MASTER	Rt W Bro A A R ALEXANDER	P O BOX 4008 WILLOWTON	(033) 345-4496		(033) 346-9079
		PIETERMARITZBURG 3210	alexande@sai.co.za		083 269 7814
ASSISTANT GRAND MASTER	Rt W Bro R C HINRICHS	PO BOX 10178,	(035) 907-5398	(035) 753-1057	(035) 753-1685
		MEERENSEE, 3901	rhc@richemp.co.za		082 321 3620
PROVINCIAL GRAND MASTER SOUTHERN DIVISION	Rt W Bro. G R EDWARDS	P O BOX 24085	(021) 683-3124	(021) 683-3130	(021) 797-1241
		CLAREMONT 7735	edwardsg@mweb.co.za		083 330 0083
PROVINCIAL GRAND MASTER EASTERN CAPE DIVISION	Rt W Bro. J C GREYLING	P O BOX 2591	(041) 484-5557	(041) 484-6382	(041) 583-2372
		NORTH END 6056	jcgreyling@telkomsa.net		082 657 6454
PROVINCIAL GRAND MASTER CENTRAL DIVISION	Rt W Bro. W J L STANDER	P O BOX 686	(057) 212-2941	(057) 212-1182	(057) 212-2941
		VIRGINIA 9430	weewillie@absamail.co.za		082 871 5953
PROVINCIAL GRAND MASTER NORTHERN DIVISION	Rt W Bro J H C OLIVIER	P O BOX 26028	(012) 333-5059	(012) 333-5059	(012) 333-5059
		GEZINA 0031	jholivier@mweb.co.za		082 554 4752
PROVINCIAL GRAND MASTER EASTERN DIVISION	Rt W Bro. L J FOURIE	P O BOX 20243	(035) 797-4129	(035) 797-4129	(035) 789-2302
		RICHARDS BAY, 3900	greenfour@saol.com		082 771 3058
GRAND SENIOR WARDEN	Rt W Bro P L JANSE VAN RENSBURG	24 SQUIRREL AVENUE		(012) 542-5734	(012) 542-5734
		THERESA PARK, 0155			082 824 0359
GRAND JUNIOR WARDEN	Rt W Bro. C W BARNARD	1 GOUDINI CRESCENT		(021) 558-441	(021) 558-4411
		WELGELEGEN, PAROW, 7500	chrisbarnard@webmail.co.za		072 369 3958
GRAND ORATOR	V W Bro. J W WHITTAKER	14 LUTTON, 6 PHILIP AVE			(031) 261-3232
		TOLLGATE DURBAN 4001			
GRAND ORATOR	V W Bro F F G NIEUWENHUIZEN	12 SHACKLETON ROAD,		(012) 542-2331	(012) 542-2331
		PIERRE VAN RYNEVELDT, 0156			
GRAND SECRETARY	Rt W Bro. B C JOHNSON	11 AILEEN ROAD	(011) 640-1324	(011) 640-3915	(011) 452-2102
		ILLIONDALE 1609	grandlodge@worldonline.co.za		082 928 6179
GRAND TREASURER	V W Bro. F P COETZEE	P O BOX 260717	(011) 618-1266	(011) 618-1086	
		EXCOM 2023	coes2webmail.co.za		082 903 3167
GRAND MASTER OF CEREMONIES	V W Bro. M ROZEN	P O BOX 964		(021) 552-1614	(021) 552-2348
		MILNERTON 7435	morthel@mweb.co.za		083 261 3324
GRAND MASTER OF CEREMONIES	V W Bro. J J BRITZ	P O BOX 2747	(011) 908-4570		(011) 955-4199
		WILRO PARK 1731	Johan@cwide.co.za		083 291 5544



Grand Lodge of South Africa

OFFICE	NAME	ADDRESS	TEL. NO. BUSINESS	FAX. NO	TEL. NO
ASSISTANT GRAND MASTER OF CEREMONIES	W Bro. H W AHRENS	P O BOX 28483 DANHOF 9310			(051) 436-5802 083 406 6436
GRAND SECOND PREPARATOR	W Bro H A WETHMAR	20 KLEIN GELUK 111, OLYMPUS Rd, BRACKENFELL, 7560			(021) 981-5088 082 518 0909
GRAND AMBASSADOR	W Bro J H BREDENKAMP	PO BOX 571, GROOTFONTEIN NAMIBIA	09264-67-81323		09264-67-242623
GRAND INSPECTOR	W Bro. E A CAHILL	20 GRIFFEN PLACE MALVERN 4093	cahill@cybertrade.co.za		(031) 464-3471 082 870 4275
GRAND ARCHITECT	W Bro. D J A ERASMUS	P O BOX 1974 AMANZIMTOTI 4125	(031) 903-2921 alfresco@polka.co.za	(031) 903-2921	(031) 903-2921 082 898 4592
GRAND ARCHITECT	W Bro. R T LOXTON	41 SHERWOOD CRESCENT AMANZIMTOTI 4126	samloxtton@polka.co.za		(031) 903-6073
GRAND SWORD BEARER	W Bro A G VAN HEERDEN	16 CORAL SANDS, ASHWELL Rd, WARNER BEACH, 4126	(031) 465-1283 allanvheerden@absamail.co.za		(031) 916 6460
GRAND SWORD BEARER	W Bro. E MCKENZIE	P O BOX 808 ERMELO 2350			(017) 819-1310 083 929 9942
GRAND INNER GUARD	W Bro. J MARKANTONIS	34 GAMBIA RD EMMARENTIA 2195		(011) 646-6779	(011) 646-1869 083 378 3425
GRAND INNER GUARD	W Bro. R WENTZEL	87 VISAGIE STR MONTE VISTA 7460			(021) 558-2657
GRAND TYLER	W Bro. S STAPELBERG	84 4TH AVENUE EDENVALE 1609			(011) 609-7123
GRAND STEWARD	W Bro. J M SCHEEPERS	P O BOX 21906 MAYORS WALK 3208	(033) 344-3629 tremay@mweb.co.za		(033) 344-3629 072 314 0270



Corné® Food Importers

We specialize in supply of Scotch Whiskey, Rum Spirits, Wine and Liqueur. A selection of top-class imported cheeses await you. Visit our show rooms and be surprised by our low prices.

At your service: Henry van den Bosch

No. 64, 5th Street, Marlboro, Sandton
 P.O. Box 1756, Marlboro, 2063, South Africa
 Tel: +27-11-444-7391 Fax: +27-11-444-5495
 Email: cornedeli@worldonline.co.za

GRAND COMMITTEE / GROOTKOMITEE 2006

(Artikel 20.1 / Article 20.1)

CHAIRMAN / VOORSITTER

Grand Master / Grootmeester

M W Bro / HE Br JT Bowen OSM/ODV

MEMBERS / LEDE

Past Grand Masters / Oud-Grootmeesters

MW Bro / HE Br SR Gasson OSM/ODV
 MW Bro / HE Br CB Groenewald OSM/ODV
 MW Bro / HE Br RS Bauser OSM/ODV
 MW Bro / HE Br BG Lindeque OSM/ODV

Deputy Grand Master:
 Adjunt Grootmeester:

RW Bro / SV Br AAR Alexander

Assistant Grand Masters:
 Assistent-Grootmeesters:

RW Bro / SV Br RC Hinrichs

Provinciale Grand Masters:
 Provinciale Grootmeesters:

RW Bro / SV Br GR Edwards
 RW Bro / SV Br JC Greyling
 RW Bro / SV Br WLJ Stander
 RW Bro / SV Br JHC Olivier
 RW Bro / SV Br L J Fourie.

Grand Senior Warden / Erste Grootopsiener:

RW Bro / SV Br PJ van Rensburg

Grand Junior Warden / Tweede Grootopsiener:

RW Bro / SV Br CW Barnard

Elected Members / Verkose Lede: (tot/to 2006)
 (tot/to 2006)
 (tot/to 2007)
 (tot/to 2007)

RW Bro / SV Br AGA Rhoadie
 RW Bro / SV Br GLN Schuitemaker
 RW Bro / SV Br M Levin
 RW Bro / SV Br A Watson

Grand Secretary (ex officio):
 Grootsekretaris (ampshalwe):

VW Bro / SA Br BC Johnson

Grand Treasurer (ex officio):
 Grootpenningmeester:

VW Bro / SA Br FP Coetzee

Royal Arch / Koninklike Gewelf

ME Comp / SV Metg PJ Naudé





GRAND LODGE STANDING COMMITTEES 2005/2006

2005/2006

Standing Committees

CONSTITUTION PROCEDURES AND REGALIA COMMITTEE

CHAIRMAN:	RW Bro. R C HINRICHS	
MEMBERS:	RW Bro. M LEVIN RW Bro. A G A RHOODIE	RW Bro. G L N SCHUITEMAKER RW Bro. L J FOURIE

RITUAL COMMITTEE

CHAIRMAN:	RW Bro. A A R ALEXANDER	
MEMBERS:	RW Bro. R C HINRICHS RW Bro. G R EDWARDS	RW Bro. J H C OLIVIER RW Bro. L J FOURIE

FINANCE COMMITTEE

CHAIRMAN:	MW Bro. B G LINDEQUE	
MEMBERS:	RW Bro. A WATSON RW Bro. R C HINRICHS RW Bro. G R EDWARDS	RW Bro. L J FOURIE VW Bro. F P COETZEE

FOREIGN RELATIONS COMMITTEE COMMITTEE

CHAIRMAN:	MW Bro. J T BOWEN	
MEMBERS:	MW Bro. B G LINDEQUE RW Bro. G L N SCHUITEMAKER RW Bro. M LEVIN	RW Bro. L J FOURIE VW Bro. FP COETZEE

BENEVOLENCE COMMITTEE

CHAIRMAN:	MW Bro. B G LINDEQUE	
MEMBERS:	RW Bro. A WATSON RW Bro. J C GREYLING RW Bro. W J L STANDER	RW Bro. J H C OLIVIER VW Bro. F P COETZEE

BURSARY COMMITTEE

CHAIRMAN:	MW Bro. B G LINDEQUE	
MEMBERS:	RW Bro. L J FOURIE RW Bro. W J L STANDER RW Bro. J H C OLIVIER	RW Bro. J C GREYLING VW Bro. F P COETZEE

EDUCATION COMMITTEE

CHAIRMAN:	RW Bro. G L N SCHUITEMAKER	
MEMBERS:	RW Bro. R C HINRICHS RW Bro. S RAYMOND RW Bro. G R EDWARDS	RW Bro. L J FOURIE Wor Bro. M WATKINS (Seconded) Wor Bro. M BOTHA (Seconded)

EDUCATION COMMITTEE

CHAIRMAN:	RW Bro. R C HINRICHS	
MEMBERS:	RW Bro. G R EDWARDS Wor Bro. M WATKINS	Wor Bro. M BOTHA

2005

GRAND LODGE OF SOUTH AFRICA ~ YEAR BOOK
GROOTLOOSIE VAN SUID AFRIKA ~ JAARBOEK

ORDER OF SERVICE TO FREEMASONRY (OSM)

ORDE VAN DIENS AAN VRYMESSELARY (ODV)

Awarded for outstanding service to the GLSA and limited to a maximum of eleven (11) at any given time.

Toegeken vir voortrefflike diens aan die GLSA en beperk tot 'n maksimum van elf (11) op enige gegewe tydstop.

Name of Recipient Naam van Ontvanger	Rank Rang
† Conradie E 1977	Grootmeester Grand Master
† Louw MC 1977	Oud-Adj-Grootmeester Past Dep Grand Master
† Haarburger H 1977	Oud-Adj-Grootmeester Past Dep-Grand Master
† Daleboudt HM 1978	Oud-Asst-Grootmeester Past Asst-Grand Master
† Levin M 1978	Oud-Adj-Grootmeester Past Dep-Grand Master
† Jacot-Guilarmod MH 1979	Oud-Adj-Grootmeester Past Dep-Grand Master
† Greenwood TW 1979	Oud-Asst-Grootmeester Past Asst-Grand Master
† Feintuch M 1980	Oud-Asst-Grootmeester Past Asst-Grand Master
† Burton EG 1980	Oud-Grootredenaar Past Grand Orator
Gasson SR 1982	Grootmeester Grand Master
Groenewald CB 1983	Grootmeester Grand Master
van Niekerk A 1983	Oud-Asst-Grootmeester Past Asst-Grand Master
Hamilton CG 1986	Oud-Asst-Grootmeester Past Asst Grand Master

Name of Recipient Naam van Ontvanger	Rank Rang
† Violet SA 1986	Oud-Prov Grootmeester Past Prov Grand Master
Pretorius GJ 1987	Oud-Grootseremoniemeester Past Grand MC
Burchell GH 1991	Oud-Asst- Groot-SRM Past Asst Grand MC
Bauser RS 1991	Adj-Grootmeester Dep-Grand Master
Hancke le R 1996	Oud-Asst-Grootmeester Past Asst-Grand Master
Bowen JT 2002	Adj-Grootmeester Dep Grand Master
Lindeque BG 2004	Past Grand Master Oud-Grootmeester

† *Deceased / Oorlede*





PAST GRAND MASTERS | OUD-GROOTMEESTERS



*M.Wor.Bro. C Graham Botha.
1961 to 1966.*



*M.Wor.Bro. E Conradie.
1966 to 1973.*



*M.Wor.Bro. S R Gasson.
1973 to 1983.*



*M.Wor.Bro. C B Groenewald.
1983 to 1991.*



*M.Wor.Bro. R S Bauser.
1991 to 1997.*



*M.Wor.Bro. B G Lindeque.
1997 to 2003.*

Oud-Grootmeesters

PAST OFFICERS OF THE GRAND LODGE OF SOUTH AFRICA OUD-GROOTLOOSIE AMPSDRAERS

Grand Masters / Grootmeesters.				Deputy Grand Masters / Adjunk-Grootmeesters.			
† Botha	CG	Lt-Col / Lt-Kol	1961 - 1966	† de Wet	CH		
† Conradie	E	OSM / ODV	1966 - 1973	† Jacor-Guilarmond	MH	OSM / ODV	
Gasson	SR	OSM / ODV	1973 - 1983	† Louw	MC	OSM / ODV	
Groenewald	CB	OSM / ODV	1983 - 1991	† Pepler	H		
Bauser	RS	OSM / ODV	1991 - 1997	† Sandler	NS		
Lindeque	BG	OSM / ODV	1997 - 2003	Snyman	WC		
				† Strauss	JJ		
Assistant Grand Master / Assistent-Grootmeester.				Provincial Grand Master / Provinsiale Grootmeester.			
† Bosman	HL			† Botha	FJ	Pretorius	AP
† Brits	PRJM			† Breedt	GC	Rhoodie	AGA
† Burnard	FH			† Cullen	JW	Rudram	N
† Cohen	HW			† de Lange	JH	Schuitemaker	GLN
† Daleboudt	HM	OSM / ODV		Delport	A	† Selke	HEK
† Feintuch	M	OSM / ODV		† de Villiers	GR	† van der Spuy	PAM
† Greenwood	TW	OSM / ODV		† du Plooy	MC	van Rensburg	JJ
† Haarburger	H	OSM / ODV		† Edmeades	HC	van Wyk	MC
Hamilton	CG	OSM / ODV		† France	HR	† Violet	SA
Karstens	GS			† Klopper	B	Watkinson	PN
le Hancke	R	OSM / ODV		† Louw	HA	Worms	LE
Levin	M	OSM / ODV		Marais	LB		
Watson	A			† Mitchell	SJ		
Grand Senior Wardens / Groot eersteopsieners.							
† Bain	WJ			Klein	N	† Shubitz	ID
Clark	GAL			† Maas	DA	† Spalding	DH
† Cohen	H			† Meyers	RS	Staal	FB
Croxford	LH			Menego	BR	† van der Merwe	RF
† de Bruto	JH			† Newman	J	Viljoen	HDG
† du Bruyn	IL			† Penberthy	CP	† Werner	CJ
Glenton	HG			Phillips	L	Willemse	CJ
Gobetz	JM			Rademan	S	† Willis	PL
Greeff	PA			† Reeler	JE		
Katz	PP			† Rive	FJM		
Grand Junior Wardens / Groot tweedeopsieners.							
† Cutler	G			† Kaplan	P	† Todd	SCH
Gilbert	E			Lacey	EM	van der Merwe	P
† Goudie	AM			† Lifson	JA	† Visser	WJ
† Henshel	PA			† Steytler	H duP		
Grand Orator / Grootredenaars.							
† Awe	AE			Haylet	NE	† Nel	JP
Becker	HL			† Kramer	T	† Roos	IG
† Burton	EG	OSM / ODV		† Lawley	HR	† Venter	HG
† Gilchrist	JJ						
Grand Secretaries / Grootsekretarisse.							
† du Plessis	P			† Kaestner	SP	† Vincent	T
† Gould	L			† van Eeden	PA	† Vos	WG
† Griesbach	RJG			† van Zyl	WJ		
Grand Treasurers / Grootpenningmeesters.							
† Braude	JH			† Nosworthy	SA	Sakaloff	WM
Niehaus	BL			† Sachs	CM	Werner	MJO



Lodge of South Africa

Grand Masters of Ceremonies / Grootseremoniemeesters.					
Ellman	P	Newby-Fraser	SK	† Whiting	CW
† Fourie	GP	Olpin	PM	† Wilner	S
Gillwald	FN				
Assistant Masters of Ceremonies / Assistent-Grootseremoniemeesters.					
† Bergman	P	† Kaestner	LH	Potgeiter	AD
† Coetzer	JJ	Kleinhans	TD	† Roode	BJ
Fourie	JPN	† Lewin	D	Schroder	PJ
† Froneman	CDS	† Oberholster	O	† Schultz	HW
Heckman	CCR	† Peterson	RF	Scott	de B
Grand First Preparators / Groot Earstegeleiers.					
† Allan	IR	† Eastham	CT		
† Longhurst	WT	† Franken	P		
Steyn	JF	† Gross	GH		
Grand Almoners / Grootmoeseniens.					
† Annandale	CF	Becker	N	† Gilson	WJA
Boshoff	FD	† Boscoe	J	† Lokker	FW
Greeff	JH	Busby	A	† Maroch	A
Kurtz	A	Crous	RH	Smith	FS
† Landsberg	W	de Beer	M	Sumner	HL
† Shields	SET	Firth	EHS		
Snyman	CJE				
† Snyman	CJG				
† van Breda	GS				
Grand Ambassadors / Grootambassadeurs.					
† Briscoe	WJB	† Austin	WA		
† Kerk	JRB	† Blignaut	E		
† Posthumus	CJ	† Jorritsman	J		
Spies	JJ	Labuschagne	PWJ		
Sher	L	† Pencharz	BJ		
		† Powell	BJ		
		† Smith	JAR		
Great Sword Bearers / Grootswaarddraers.					
Blitz	J	Allan	A		
† Bloom	M	Breetzke	NE		
de Klerk	IZ	† Geisler	RA		
† du Plooy	EDC	† Hobson	GC		
† du Toit	DE	Luyt	A		
† Miller	MJ	† Perkins	JFC		
† Morgenrood	CB snr	† Rothman	CR		
		† Smulowitz	P		
Grand Banner to the Grand Master / Grootvaandelraers vir die Grootmeester.					
† Joubert	JM	† Robertson	AF	† Rosch	AJ
† Levitt	HL				
Grand Directors of Music / Grootdirekteurs van Musik.					
† Banks	W	de Jager	JG	Stemmet	DJ
Breedt	GPA	Ladbrooke	RH	Victor	JHJ
† Bussy	BR				

continues on next page.

continued from previous page.

Grand Inner Guards / Grootbinnewagte.					
† Dickson	BR		Meyer	JPJ	Viviers GJ
† Kemp	BS		Reid	MB	† Vogt RR
Levy	F				
Grand Tylers / Grootdekkers.					
Cronje	JP		Pretorius	GJ ODV/OSM	Wilson RAB
† Kamerman	PA		† Prinsloo	MJ snr	
Grand Stewards / Groothoofmeesters.					
† Badenhorst	IC		Eschor	R	Lewis S
Barry	TJ		† Esterhuizen	WJJ	† Louis SL
† Bartlett	HD		† Fairweather	A	Lubowski A
Bell	IM		Feigel	LF	† McCullum JW
Berman	A		Fourie	JWS	McHardy JC
† Botha	C		† Foye	D	† Mirfin LH
† Bouwer	S		† Gray	M	Rudman L
† Brasler	WA		† Grobler	LM	Sagor S
Brenner	JC		Groenewald	PL	Seaward HE
† Buisansky	M		Haggerty	TA	Singer B
Burchell	GH	OSM / ODV	Haupt	AH	Smit JLE
Butters	CT		Hopf	HPJ	† Solms JL
† Calitz	AJ		Israel	M	Stevens J
Cilliers	AC		Jacobs	WD	Steyn JJ
Cooper	S		Jacobson	SGS	Steyn MH
Cotter	W		† Johnson	WC	Steyn PH
† de Klerk	JC		† Kaplan	A	† Teren AG
Denison	JC		Katz	R	van Niekerk PA
† de Wit	JP		† Kersh	G	Verster GP
† de Wit	JJ		† Kloppers	GWP	Viljoen NL
du Plessis	SC		† Lake	AJ	Visser G
du Plooy	JP		† Lampert	W	† Widmonte R
Ellis	HJ		† Larsen	CA	Wilken EJWJ
Eloff	PA		† Lazarow	ZL	† Wolman I
Engela	DJ		Levy	JB	Zweigelaar H
Engela	TW		† Lewis	N	

† Deceased / Oorlede.



ROB ROY

SCOTTISH SUPPLIES.

INCORPORATING "THE MASON'S APRON" FINE QUALITY REGALIA.

Contact: **Jenny Edmunson**

Shop 10
Blackheath Pavilion
Pendoring Road
Cnr. Beyers Naude Drive
Blackheath
Johannesburg

Tel: +27 (0)11 678 5618
Tel & Fax: +27 (0)11 678 5623
Mobile: +27 (0)83 263 4125
jennyed@robroy.co.za
www.robroy.tv

P.O. Box 3046
Cresta
2118
Johannesburg
South Africa



Past Rank Conferred

PAST GRAND LODGE RANK CONFERRED OUD GROOTLOOSIE TOEGEKEN

Past Grand Master / Oud-Grootmeesters.			Past Deputy Grand Masters / Oud-Adjunk-Grootmeesters.					
†	Rose	JG	Levin	M	OSM / ODV			
			van Niekerk	A	OSM / ODV			
Past Grand Senior Wardens / Oud-Groot Eersteopsieners.								
†	Bergman	P	Kroukamp	JJ	†	Sacks CM		
†	Gorvalla	PI	†	Landsberg	W	Slabbert CL		
†	Griesler	RA	†	Lawley	HR	†	van Zyl WJ	
†	Henschel	PA	†	Moore	C	†	Vincent T	
†	Knoetze	FG	†	Nel	JP			
Past Grand Junior Wardens / Oud-Groot Tweedeopsieners.								
†	Adendorf	MJ	†	Human	JA	Raymond	RS	
	Becker	HL		Johnson	BC	Smit	HPJJ	
	Botha	TJGV	†	Kaestner	SP	van der Merwe	PdeW	
	Burchall	GH	OSM/ODV	Neuhaus	BL	†	van Zyl	
†	Burton	EG	OSM/ODV	Kitay	EG	Vassiliades	T	
†	Davel	JC		Milanesi	M	Wellish	W	
	Fourie	JN		Myburgh	BC			
†	Gould	L		Naude	PJ			
Past Grand Orators / Oud-Grootredenaars.								
†	Austin	WA		Kantor	W	Raymond	S	
†	Botha	FJ	†	Lewis	N	Schroder	PJ	
†	Braude	JH	†	Linde	JJ	Selobiwitz	MW	
	de Klerk	IZ	†	Louis	SL	Stam	JJ	
†	du Plessis	H		Louis	L	Swanepoel	EA	
	Janse van Rensburg	P		Mitchell	SJ	van der Vyver	V	
†	Jordaan	PJ		Potgeiter	AD	†	Whiting CW	
				Pretorius	GJ	OSM/ODV	†	Wolman I
Past Grand Masters of Ceremony / Oud-Grootseremoniemeesters.								
†	Allan	IR		Gray	W	Neethling	JJF	
	Amoils	S	†	Greenman	SR	Olpin	P	
†	Bell	EA	†	Gross	G	†	Roussouw GP	
†	Bergh	WJA		Hattingh	C	Roussouw	FP	
	Beumer	HL		Hirson	P	†	Schultz HW	
†	Briscoe	WJA		Jordaan	R	Scott	deB	
	de Jager	JL	†	Kaestner	LH	Smith	JAF	
	du Toit	JJ	†	McNamara	CM	Spies	BDP	
	Engelbrecht	JA	†	Mirfin	LH	van der Merwe	J	
†	Gilson	WJA						
Oud-Assistent-Grootseremoniemeesters - Past Assistant Grand Masters of Ceremony.								
†	Borrowman	D	†	Shields	SET			
	Klemptner	WHA		Wade	DFW			
Oud-Groot Eerstegeleiers / Past Grand First Preparators.								
†	Annandale	CF	†	Powell	BJ	van der Merwe	PHG	
Oud-Grootaalmoeseniers / Past Grand Almoners								
	Brenner	B		Finnern	H	Mare	FR	
Past Grand Ambassadors / Oud-Grootambassadeurs.								
†	Bartlett	HD	†	Lazarow	ZL	†	Shapiro S	
†	Cooper	AA	†	Lokker	FW	†	Singer B	
	de Jager	J		Lombaard	JA	van Rensburg	D	
	Fourie	LJ		Lutrin	I	†	van Wyk DIS	
	Grobbelaar	A	†	Muller	PW	†	Vlismas JS	
†	Hermanson	WC	†	Nestadt	M	†	Widmore R	
	Jacobs	JJ		Papavarnasas	PS			

continues on next page.

continued from previous page.

Past Grand Inspectors / Oud-Grootinspekteurs.						
	Beets	MJ		Rudman	L	† Teren AG
†	Berman	H		Sagor	S	van Niekerk PA
†	Lampert	W		Seaward	HE	Verster GP
	Larsen	CA		Smit	JLE	Viljoen NL
	Levy	JB	†	Solms	JL	Visser G
	Lewis	S		Stevens	J	† Widmonte R
	Lubowski	A		Steyn	JJ	Wilken EJWJ
†	McCullum	JW		Steyn	MH	Zweigelaar H
	McHardy	JC		Steyn	PH	
Past Grand Architects / Oud-Grootboumeesters.						
	Blitz	J		Matthysen	JJ	
†	Bloom	M		Kloppers	SP	van der Velden JD
†	Brink	W	†	Mouton	C	van Loggerenberg CJM
	Coe	CJG		Notnagel	GC	Vosloo DJ
	du Toit	DE	†	Ressell	I	White KMP
	Fourie	A		Smit	AJ	van den Berg SL
	Henning	PJ		Smit	DS	Zaayman VH
Grand Sword Bearers / Grootwaardraers.						
†	Brecher	BG	†	Gulbranson	H	Walt A
	Cronje	JP	†	Vosloo	GS	† Joubert JM
Past grand Banner Bearer to the Grand Master / Oud-Grootvaandeldraer vir die Grootmeester.						
	Jooste	PC				
Past Grand Banner Bearers / Oud-Grootvaandeldraers.						
	Cilliers	AC	†	de Witt	JAJ	Merselaar AC
	Cooper	S		Dickson	B	Taul FE
†	Davies	ET	†	Kemp	BS	† van Vuuren T
	Dennison	JCJ	†	Loock	FB	
Past Directors of Music / Oud-Direkteurs van musiek.						
†	Cross	RF		Morrison	RA	† Thompson RJ
	Leal	LdeV		Scheffer	W	Wilken P
Grand Inner Guards / Grootbinnewagte.						
†	Badenhorst	IC		Jacobs	W	Prentzler W
†	Brasler	WA	†	Johnson	WC	Rom A
	Butters	Ct		Kaganson	S	† Rosenthal P
	Coetzee	P		Kaplan	A	† Smith EJ
	du Plessis	SC		Leary	N	† van Zyl FJ
†	Gray	M	†	Lello	DO	Wilson RAB
	Greyling Jnr.	JC		Mizon	RS	
	Grobler	WJ		Mouroukian	C	
Past Grand Tylers / Oud-Grootdekkers.						
	Gerson	A	†	Schmuck	WN	
	Nayman	A		Slabbert	D	
Grand Stewards / Groot Hofmeesters.						
	Bloch	M		Kerwan	L	† Sandler D
	Bosman	IDW		le Roux	PJ	† Shein G
	Brown	EM		Leary	N	† Sher M
	Caplan	J		Levin	MJ	† Staub P
	Coetzee	J		Levitt	CB	† Strauss AJ
	Coetzer	PA	†	Lindeijer	JA	Veitch F
†	Cohen	J		Louw	RNP	† von Brandis MF
†	Cohen	Jean	†	MacMaster	MG	Westwood WJ
	Cohen	M		Maneveldt	K	Wilkin GJ
	Combrink	J	†	Mankowitz	S	Williams DE
†	Cowan	NC		Marais	FJ	† Wright J
	de Jager	FH		McFarlane	CM	Wydeman HP
	de Klerk	JC		Nell	JC	† Zwart JN
	Erasmus	GM		Peggs	BJ	
†	Esterhuizen	WM		Pistorius	FWT	
	Feigel	E	†	Rinquist	SD	
	Ferreira	S	†	Rubenstein	J	
	Greeff	P				
†	Insley	FT				
	James	A				† Deceased / Oorlede.



FIFTY YEARS' MASONIC SERVICE JEWEL

SIERAAD VIR VYFTIG JAAR DIENS

Masonic Service Jewel

Name of Recipient	Lodge	No.	Name of Recipient	Lodge	No.				
Nam van Ontvanger	Losie	Nr.	Naam van Ontvanger	Loosie	Nr.				
† Ackerman	JHT	De Goede Hoop	1	† Katz	S	Equity	39		
Amoils	S	Springbok	87	† Katz	R	Star of the East	28		
Appleton	I	Friendship	95	Kruger	FJ	Theophilus	107		
† Austen	WA	William Vogts	51	Lande	L	Freindship	95		
† Bain	WJ	Neerlandia	31	† Lawley	HR	De Goede Trouw	2		
Baker	H	De Goede Verwachting	23	† Lello	DO	Prins Frederik	19		
Baker	JM	Star of the East	28	Levin	MJ	Cape Town	138		
Basson	JAL	De Goede Hoop	1	Levin	B	Kaapstad	81		
Bauser	RS	OSM/ODV	Peace & Harmony	11	Levin	M	OSM/ODV	Kaapstad	81
Bergman	P	Fidelity	34	† Levy	J	De Goede Verwachting	23		
Blignaut	HER	Dromedaris	77	† Loock	F	Bartholomeuz Dias	72		
Brand	FC	Oranje	7	† Maree	JL	L'Agullas	36		
† Brasler	WA	Albert J Haak	60	Meeuwesen	JAS	Jacob de Mist	44		
Brasler	JJC de V	Mutual	53	† Mincer	JJ	L'Agullas	36		
Braver	EC	Equity	39	Minnaar	JJ	Equity	39		
Brink	F	Central Free State	35	† Mirfin	LH	Westerford	43		
† Briscoe	WJB	Dromedaris	77	† Momberg	CC	The Rising Star	129		
Burchell	GH	OSM/ODV	Cape Town	138	† Nestadt	M	Star of the East	28	
Burton	EG	OSM/ODV	Unie	4	Ostroski	SC	Star of the East	28	
Came	RP	Royal Protea	55	† Penchartz	M	Unie	4		
Cheerin	EC	Kaapstad	81	† Phillips	HL	De Goede Verwachting	23		
Clark	HG	De Goede Trouw	2	Potgeiter	JH	Voortrekker	41		
Clegg	C	Helderberg	116	Raymond	S	De Goede Verwachting	23		
Cohen	M	De Goede Verwachting	23	† Reicherberg	AM	Brandfort	33		
† Cohen	N	De Goede Verwachting	23	Robertson-Cumming	HH	Peace & Harmony	11		
† Cohen	H	Fidelity	34	† Rosen	AJ	Equity	39		
† Connack	I	Star of the East	28	Roux	Lk	Marina	25		
† Cross	RE	Koh-I-Noor	79	† Rubenstein	J	Hiram	105		
† Cutler	G	Vereeniging	67	Saddington	C	Marina	25		
† Daleboudt	HM	OSM/ODV	Jacob de Mist	44	Salem	JEA	Hon PDGM		
† de Lange	JF	Fidelity	34	Schahmann	IS	Star of the Rand	15		
† de Lange	JH	Ossewa	52	† Scheinbaum	H	Star of the East	28		
Droesti	GM	De Goede Hoop	1	† Schulz	HW	Ossewa	52		
† du Plessis	HJ	Star of the Rand	15	† Shapiro	SH	Eugenia	50		
† Edmeades	HC	Brandfort	33	† Shein	G	Vaalrivier	84		
† Edwards	RA	De Goede Trouw	2	† Sher	M	Star of the East	28		
† Ellman	A	Unie	4	† Singer	B	Flaming Star	5		
† Feintach	M	Kaapstad	81	† Singer	M	Flaming Star	5		
† Fiegel	IF	Oranje	7	† Smit	CN	Unie	4		
† Fourie	GP	Saamwerk	94	† Smulowitz	P	De Morgenster	9		
† France	HR	Strelitzia	122	† Snadder	DO	De Goede Verwachting	23		
Gasson	SR	OSM/ODV	Royal Protea	55	Snayman	W C	Jacob de Mist	44	
Germushuizen	J C M	de Vereeniging	3	† Stein	M	De Goede Verwachting	23		
Gerson	A	Hiram	108	† Stern	HL	Muizenberg	46		
Geysler	AH	Aurora	8	† Steyn	JJ	Frere	13		
Gillett	SBH	De Goede Hoop	1	Swiel	H	De Goede Verwachting	23		
Glenton	HG	Cape Town	138	Taylor	TP	Eugenia	50		

continues on next page.



continued from previous page.

Name of Recipient	Lodge	No.	Name of Recipient	Lodge	No.
Nam van Ontvanger	Losie	Nr.	Naam van Ontvanger	Loosie	Nr.
† Golding JW	De Goede Verwachting	23	† Tennant J	Marina	25
† Gradner BI	De Goede Verwachting	23	van den Heever CM	Harmony	29
Grobler WJ	Aurora	8	van den Heever JA	Harmony	29
Groenewald C G OSM/ODV	A J Haak	60	† van der Spuy PAM	De Goede Hoop	1
† Haarburger HH OSM/ODV	Unie	4	van Rensburg JJ	Bultfontein	123
Hamilton CG	Theophilus	107	van Rensburg D	Oranje	7
† Hermanson WC	Marina	25	Viljoen NL	Aurora	8
† Jabkowitz P	Fidelity	34	† Violet SA OSM/ODV	Marina	25
Joubert DCJ	Marina	25	† Vosloo GS	Vereeniging	67
† Joubert JM	Welkom	58	Wellish W	Neerlandia	31
† Kaestner SP	Albert J Haak	60	Williams DE	Iquiniso	92
† Kahn JH	Benoni Golden Jubilee	76	† Willis PL	Marina	25
Katz CW	De Goede Verwachting	23	Wolman IS	Kaapstad	81
† Katz M	Equity	39			
† <i>Decased / Oorlede</i>					

Sieraad vir Vyftig Jaardiens

50 Jaar Diens Sieraad

CHARTFORDS CENTRAL INC.

With the Compliments of:

CHARTFORDS CENTRAL INC.

Chartered Accountants (S.A.)
Registered Accountants and Auditors

Incorporating:

- Wolff, Neuhaus & Co.
- Samuel Marks
- I. E. Sacks & Co.

Telephone: (011) 640-2117
Telefax: (011) 640-2125

P.O. Box 1105 and 1327 10 A - Boundary Road
Highlands North 2037 Rouxville 2192
Docex 233 Johannesburg. Johannesburg
Docex 9, Highlands North

Directors: Samuel Marks,
Bernard Neuhaus, Sonny Sacks.

Published by:

The Grand Lodge of South Africa.

Grand Lodge Centre:
Tel: (011) 640-1324

Grand Secretary:
Rt. W. Bro. B C Johnson
082 903 3167

Editorial Panel:
Wor. Bro. D Duncan
Wor. Bro. H Schaum
Bro. A M Buerkle

M Buerkle - LightHouse Studio
(011) 704-3551

Printed by:
Ultra Litho (Pty.) Ltd.
(011) 621-3300



Representatives

REPRESENTATIVES: SISTER GRAND LODGES

VERTEENWOORDIGWERS: SUSTER GROOTLOSIES

Verteenwoordigwers

Grand Lodges in amity with the GLSA.

Grootlosies met wie die Grootlosie van Suid-Afrika in vriendskap verkeer.

	SA Representative Verteenwoordiger Hier		Local Representative Verteenwoordiger Daar	
Britse Eilande / British Isles				
Engeland / England	Groenewald	CB	Viscount Bledisdale	
Ierland / Ireland	Gasson	SR	Canon EB Snow	
Skotland / Scotland	Levin	M	Lord Bellhaven and Stenton	
Australasië / Australasia				
Nieu-Suid Wallis / New South Wales	Bowen	JT	Bieshevel	JA
Queensland	Katz	PP	Perryer	HV
Suid-Australia / South Australia	Viljoen	NL	Hadrđic	PD
Tasmanië / Tasmania	Barnard	CW	Sellars	FC
Victoria	Johnson	BC	Rolley	WH (Rev)
Wes-Australia / West Australia	Pending		Beales	BG
Nieu-Seeland / New Zealand	Bowen	JT	Miller	RB
Kanada / Canada				
Alberta	Olivier	JHC	Syan	PS
British Columbia	Gilbert	E	Thompson	WR
Manitoba	Clark	GAL	Nicholson	GF
New Brunswick	Olpin	PM	MacMillan	WA
Nova Scotia	Alexander	AAR	Zwicker	R
Ontario	Heckman	CCR	Intig	GFW
Prince Edward Island	Botha	FJ	MacNevin	L
Quebec	Whittaker	JW	Kershaw	MA
Saskatchewan	Neuhaus	BL	Harmsworth	EF
Midde-Ooste / Middle East				
Israel	Amoils	S	Kantor	W
Iran (in verbanning/exile)	Pending		Pending	
Turkye / Turkey	Ferreira	PH	Kalon	A
Asië / Asia				
Filippyse Eilande / Philippines	Pending		Nabong	JC (Jnr)
Indië / India	Glenton	H	Raizada	BK
Japan	Kroukamp	JJ	Dyck	RC
Sjina / China	Smit	HPJJ	YU	FTJ

continues on next page.

 continued from previous page.

Sentraal en Suid-Amerika / Central and South America				
Argentinië/Argentine	van der Merwe	P	Mendez	HF
Bolivia	Botha	FJ	Howie	J
Brasilië/Brazil, Grande Orient do	Staal	FB	Viann	WN
Chile	Crous	RH	Ortiz-Ramirez	A
Colombia (at Barranguilla)	Wellish	W	Eidelman	Zev
Colombia (at Bogota)	Wellish	W	Cruz	GB
Costa Rica	Lindeque	BG	Bujan	M
Ecuador	Pending		Nieto	H
Honduras	Pending		Tenorio	LA
Mexico (York, Grand Lodge of)	Louis	SL	Kuntz	HR
Peru	Milanesi	M	Moores	WT
Puerto Rico	Pending		Bonilla	RV
Salvador	Gray	WJ	Barake	NAS
Uruguay	Finnern	HE	Butteri	MA
Venezuela	Karstens	GS	Vingerhoedt	F

Afrika / Africa				
Benin	Pending		Pending	
Burkina Faso	Pending		Pending	
Congo	Pending		Pending	
Guinee	Newby-Fraser	SK	Pending	
Ivory Coast	Viljoen	HDG	N'Guessan	A
Malagache (Madagascar)	Pending		Radazatsiferana	R
Mali	Hinrichs	RC	Pending	
Senegal	Schuitemaker	GLN	Agbogba	A
Togo	Pending		Pending	

Europa / Europe				
Andorra	Pending		Pending	
Austria	Wellish	W	Kloser-Homa	H
Belgium	Pending		Corbet	J
Czech Republic	Pending		Pending	
Denmark	Zaayman	VH	Selnaes	B
France	Zaayman	VH	Batham	C
Finland	Gasson	SR	Ignatius	V
Germany	Finnern	HE	Sand	T (Dr)
Greece (National Grand Lodge of)	Papavarnavas	PS	Sariganides	C
Hungary	Pending		Pending	
Iceland	Boshoff	FD	Isaksson	E
Luxembourg	Greyling	JC	Klestadt	G
Netherlands	Bauser	RS	Schultink	R
Norway	Becker	HL	Falkenberg	K
Poland	Pending		Pending	
Portugal (Regular Grand Lodge of)	Watson	A	Amaro	PEM
Spain	Klein	N	Pinto	TS
Switzerland	Breedt	GC	Bally	D



Representatives: Sister Grand Lodges

Verenigde State van Amerika / United States of America				
Alabama	Lindeque	BG	Carson	HL
Alaska	Klein	N	Maynard	ML
Arizona	Becker	HL	Oakley	RL
Arkansas	Lindeque	BG	Weaver	JE
California	Bowen	JT	Dayton	LE
Colorado	Nieuwenhuizen	FFG	Allan	N
Connecticut	Janse van Rensburg	PL	Ayers	KW
Delaware	Breedt	GPA	Talbott	RL
Florida	Ferreira	PH	Steve	G (Jnr)
Georgia	Willemse	CJ	Mills	P
Hawaii	Pending		Pending	
Idaho	Alexander	AAR	Goslin	BR
Illinois	Schuitemaker	GLN	Turner	WL
Indiana	Watson	A	Bixly	RE
Iowa	<i>(Not appointed)</i>			
Kansas	Glenton	H	Willey (111)	JW
Kentucky	Pretorius	GJ	Thomas	JF
Louisiana	Willemse	CJ	Folds	CB
Maine	Neuhaus	BL	Chase	RE
Maryland	Karstens	GS	Jennings	DE
Massachusetts	Johnson	BC	Gootlz	JL
Michigan	Marais	FJ	Schmidt	JF
Minnesota	Louis	SL	Luhm	TR
Mississippi	Rhodie	AGA	Hillman	DM
Missouri	Ahrens	HW	Hopkins	GE
Montana	van Niekerk	A	Salsbury	DT
Nebraska	Rhodie	AGA	Jones	D
Nevada	Stemmet	DJ	Hokanson	GK
New Hampshire	Viljoen	HDG	Walker	JM
New Jersey	Pending		Picking	LD
New Mexico	<i>(Not appointed)</i>			
New York	Alexander	AAR	Smith	CJ
North Carolina	van der Merwe	P	Hartsell	ED
North Dakota	Horn	PT	Ohr	HA
Ohio	Wethmar	HA	Nolanoy	CA
Oklahoma	Becker	HL	Weese	AS
Oregon	Wolman	J	Adams	MD
Pennsylvania	<i>(Not appointed)</i>			
Rhode Island and Providence Plantations	Prinsloo	MJ	Wright	DG
South Carolina	Watkinson	PN	Snow	WZ
South Dakota	Bauser	RS	Bandelman	HJ
Tennessee	Rudram	N	Henderson	REC
Texas	Gasson	SR	Alford	JD
Utah	Pending		Woodward	J
Vermont	Pending		Greenleaf	WE
Virginia	Levin	M	Adams	WY
Washington	Greeff	PA	Morgan	CT
Washington (DC)	Pending	Kirk	DD	
West Virginia	Burchell	GH	Lucas	SK
Wisconsin	Hancke	le R	Soberg	DJ
Wyoming	<i>(Not appointed)</i>			

2005

GRAND LODGE OF SOUTH AFRICA ~ YEAR BOOK
GROOTLOESIE VAN SUID AFRIKA ~ JAARBOEK



GRAND LODGE OF SOUTH AFRICA: LODGE MEETING & INSTALLATION DATES 2005/2006

LODGE	No	Founded	Location	Division	Meeting on	No	Installation	Special Date	Master	Tel.	Contact	Tel.
de GOEDE HOOP	1	1772	Cape Town	Southern	Wednesday	2	June		M Fritz	082 466 8718	N Leary	082 091 6386
de GOEDE TROUW	2	1800	Cape Town	Southern	Tuesday	4	June		B Smith	083 383 1056	L Brickhill	083 372 9070
de VEREENIGING	3	1834	Graaf Reinet	Eastern Cape	Friday	2	September	3rd Sat	R van Vuuren	049 892 5490		
UNIE	4	1866	Bloemfontein	Central	Thursday	2	July		S P Strydom		F J Botha	053 574 0151
ST JAN	6	1867	Malmesbury	Southern	Saturday	2	May		R Supra	082 553 6055	J L Snyman	021 873 1365
ORANJE	7	1867	Paarl	Southern	Monday	2	July		W P Schonau	082 822 8633	D Opperman	021 873 4462
AUKORA	8	1868	Pretoria	Northern	Tuesday	2	March		P P Roos	082 872 9631	C J Willemse	083 250 6498
de MORGENSTER	9	1870	Kroonstadt	Central	Thursday	3	May		B P van Rooyen	056 213 1856	D J Stemmet	072 834 2606
PEACE & HARMONY	11	1873	Kimberly	Central	Wednesday	1	March		G P Kriel		J C Stevens	053 832 3467
ORANGE	12	1878	Rustenburg	Northern	Thursday	2	April	Saturday	H Benmer		B J Rodel	014 594 1639
STAR OF THE RAND	15	1889	Park Lane	Northern	Tuesday	3	March		I Schahamann		P Seafie	082 903 7733
LIBERTAS	16	1890	Krugersdorp	Northern	Wednesday	4	June		S de Kock	083 699 0431	P Myburgh	011 762 2142
DIE BROEDERBOND	17	1892	Pretoria	Northern	Wednesday	3	February		C G Albertyn	082 557 7818	J J J Mocke	082 654 5554
UNITY	18	1892	Winberg	Central	Tuesday	4	October		J F Steyn		L D Rudman	083 525 0588
PRINS FREDERIK	19	1894	Orange Grove	Northern	Tuesday	4	June		H B Fouché	083 644 7620	A H Saunders	011 453 6195
DIAMOND	22	1907	Koffiefontein	Central	Friday	2	October		J A Fourie		F J Botha	083 943 4013
de GOEDE VERWACHTING	23	1908	Cape Town	Southern	Thursday	3	August		M Rozen	083 261 3324	S Raymond	021 712 2909
MARINA	25	1908	Cape Town	Southern	Tuesday	3	September		R Karreman	076 243 9406	K Turner	084 475 0100
SENEKAL	27	1914	Senekal	Central	Wednesday	2	April		B W Els	058 481 2547	L Rudman	082 415 6082
STAR OF EAST	28	1920	Benoni	Northern	Tuesday	4	May		D McGowan	083 708 3426	D Dicks	082 464 0040
PARYS	30	1922	Parys	Central	Wednesday	2	September		N Maltitudes		P Kemp	056 818 1264
NEERLANDIA	31	1922	Durban	Eastern	Tuesday	1	June		C J C Innges	083 748 6304	R W Schreuder	082 786 1410
FIDELITY	34	1925	Port Elizabeth	Eastern Cape	Monday	3	October		A Smith	041 364 1241	K J Marshall	041 360 4913
CENTRAL FREE STATE	35	1923	Ondandaalsrus	Central	Wednesday	4	April		J Dreyer	057 398 1165	P J T Henning	057 398 1757
L'AGULLAS	36	1926	Bredasdorp	Southern	Tuesday	2	May		A W James	082 408 4466	A C Merselaar	028 424 1622
DIE VOORTREKKER	41	1931	Germiston	Northern	Tuesday	4	January		F W du Toit	072 778 4944	J M de Klerk	082 460 0370
BELVILLE	42	1931	Belville	Southern	Wednesday	1	June		F Powell	073 163 5792	M Lotter	
WESTERFORD	43	1931	Cape Town	Southern	Thursday	2	May		G S Metzler	083 445 1517	N Ehrman	021 975 1209
JACOB de MIST	44	1931	Cape Town	Southern	Thursday	1	October		S Crofton	084 606 2167	D J Snyman	021 591 6503
DAGREEK	45	1931	Bloemfontein	Central	Thursday	1	March		G C Northagel		E Jacobs	051 522 3943
MILTON	49	1936	Queenstown	Eastern Cape	Thursday	3	May		W May	083 265 5816	M Whale	045 838 2173
EUGENIA	50	1937	Lichtenburg	Northern	Thursday	2	September	Saturday	P A Roux		C F Mathews	082 494 1655
OSSEWA	52	1940	Orange Grove	Northern	Wednesday	1	August				M Pieters	
MUTUAL	53	1940	Cape Town	Southern	Thursday	3	November		J H Vivian	083 945 4240	T Oosthuizen	021 913 4489
ROYAL PROTEA	55	1948	East London	Eastern Cape	Thursday	4	November		L Wolsink	082 654 1996	E M Kretzmann	083 737 4984



LODGE	No	Founded	Location	Division	Meeting on	No	Installation	Special Date	Master	Tel.	Contact	Tel.
STAR OF THE WEST	56	1948	Klerksdorp	Northern	Thursday	last	November	Saturday	R Horn	018 468 8091	C W Stockigt	082 820 6652
ALBERT J HAAK	60	1951	Krugerdsorp	Northern	Friday	1	November		M J Wagemaker	011 760 2378	J J Heyneke	083 462 6734
M W PRETORIUS	62	1951	Carltonville	Northern	Wednesday	3	October	Saturday	C Stander	018 700 3436	L C La Grange	082 652 0678
SONOP	63	1952	Germiston	Northern	Wednesday	2	January		S Stapelberg		F P Coetzee	082 903 3167
STAR OF NORTH	64	1952	Pietersburg	Northern	Thursday	4	February	Saturday	B J Korff	083 686 7116	D Smit	083 740 3678
JOHAN van RIEBECK	66	1953	Bellville	Southern	Monday	3	February		A Le Roux	021 948 2812	D Bernadie	021 913 5921
PRES BURGERS	70	1954	Pretoria	Northern	Friday	4	August		C van Niekerk	083 453 6412		
ORANJE-NASSAU	71	1954	Cape Town	Southern	Monday	4	July		P van Noordt	021 976 5160	R J Herbig	021 558 4586
BARTHOLOMEUS DIAZ	72	1954	Port Elizabeth	Eastern Cape	Wednesday	4	May		J C Greyling Jnr.	082 720 3567	J C Greyling	082 657 6454
GOLDEN CITY	75	1956	Orange Grove	Northern	Thursday	3	August		R Murray	082 904 1820	D Markantoni	083 417 7193
BENONI GOLDEN JUBILEE	76	1957	Benoni	Northern	Thursday	4	October		N Digovitch		B C Johnson	011 640 1324
DROMEDARIS	77	1957	Pietermaritzburg	Eastern	Thursday	2	August		J M Scheepers	033 344 3629	A A R Alexander	083 269 7814
KOH -J- NOR	79	1957	Pretoria	Northern	Monday	1	October		J van den Berg	012 542 3821	P L J van Rensburg	082 824 0359
VAALRIVIER	84	1958	Ermelo	Northern	Monday	1	February	Saturday	L Jacobs		H Beckman	
SPRINGBOK	87	1960	Orange Grove	Northern	Tuesday	1	March		B J Adelsky	011 462 1106	S Amois	011 440 5844
ALPHA	89	1962	Orange Grove	Northern	Tuesday	1	February		B Nethuis		S Amois	011 440 5844
IQUINISO	92	1963	Amanzimtoti	Eastern	Monday	4	March		D R Voigh	031 916 1969	R T Loxton	031 903 6073
C J LANGENHOVEN	93	1963	Bellville	Southern	Monday	1	August		A H Pienaar	082 337 8624	G N Millen	021 948 4830
FRIENDSHIP	95	1963	Orange Grove	Northern	Wednesday	4	September		D Duncan	082 491 0619	R Gotchev	082 559 8881
RESURGAM RHODESIA	97	1966	Orange Grove	Northern	Monday	4	October		V Clarke		E T Owen	082 771 7667
NORDERLIG	98	1967	Vryheid	Eastern	Saturday	4	November		J H Jacobs	084 301 7390	F H Marais	082 451 5191
RETIEF	99	1967	Durban	Eastern	Wednesday	2	April		L M Muswema	082 966 5253	E A Cahill	082 870 4275
SIMON van der STEL	101	1968	Cape Town	Southern	Monday	2	October		D Smit	082 497 2670	C Grobbelaar	083 310 9810
ZUR EINT RACHT	105	1970	Cape Town	Southern	Monday	3	October		R Bischoff	021 790 2733	W Petzold	021 685 6089
TRICHARDT	106	1970	Trichardt	Northern	Thursday	2	January	Saturday	D J Niewoudt		J P Cronje	017 632 4398
THEOPHILUS	107	1971	Port Shepstone	Eastern	Thursday	3	July	Saturday	B Evans	083 618 5706	J A J Thomson	072 783 9546
HIRAM	108	1971	Cape Town	Southern	Tuesday	3	June		V Roberg	021 554 3909	H W Archer	021 531 1539
BRITS	110	1972	Brits	Northern	Thursday	2	September	Saturday	E Streenkamp	082 448 5996	J Patrick	082 446 6073
MAKALANI	114	1973	Grootfontein	Grand Lodge	Friday	2	July		C Montgomery	09264 6 724 3177	H M Stapelberg	09264 6 723 4177
HELDERBERG	116	1975	Strand	Southern	Thursday	3	May		S P Morony	021 855 3006	E Supra	082 900 9008
MERENSEE	118	1975	Richards Bay	Eastern	Wednesday	3	May	Saturday	F H Marais	082 451 5191	F C A Roodt	082 553 3819
BULTFOUNTEIN	123	1977	Bultfontein	Central	Tuesday	2	June		J P Conradie		D du Plooy	051 853 2063
PERSEVERANCE	126	1977	Cape Town	Southern	Tuesday	1	November		R Heneke	021 705 8812	M I Daniels	021 762 1645
THE RISING STAR	129	1983	Pretoria	Northern	Tuesday	3	October		C S J Vermaak	082 496 7158	C J Willemse	083 250 6498
JOCK OF BUSHVELD	130	1983	Nelspruit	Northern	Saturday	1	July	Saturday	N van Burick	082 572 7348	W J Clarke	082 873 9539
GERMANIA	131	1984	Rarktown North	Northern	Friday	1	February		W Raskop	082 298 7333	J Schober	082 627 6997
MNGENI	134	1986	Rosburgh	Eastern	Thursday	4	February		C J van der Westhuizen	082 695 8932	H L Botha	083 456 8493
COELACANTH	137	2002	Gonube	Eastern Cape	Wednesday	4	March		R Shelton	083 274 3373	K G Pape	043 743 3340
CAPE TOWN	138	2002	Cape Town	Southern	Monday	1	December		G Faters	021 981 0288	C L Moroukian	021 671 9613



PROVINCIAL GRAND LODGE: SOUTHERN DIVISION.

PROVINSIALE GROOTLOOSIE: SUIDELIKE AFDELING

ANNUAL REPORT OF THE PROVINCIAL GRAND MASTER 1st OCTOBER 2005

Introduction

M Wor Grand Master, R Wor Grand Commissioned Officers, Officers of Grand Lodge, R Wor, V Wor, Wor Brethren and Brethren all.

Once again, it is a privilege and a pleasure to have so many visitors from Grand Lodge and our sister Divisions attending our AGM. We greatly value the time that we spend with each and every one of you and always welcome the opportunity to share ideas with you and learn from your experiences. Your wise counsel has a very real impact on Southern Division's progress and we trust that the warm camaraderie and fraternal support that we now enjoy will continue to enrich our Masonic lives as we face the future.

Een van die mees positiewe aspekte rondom die samestelling van 'n jaarverslag, is dat dit jou verplig om 'n in diepte ondersoek te doen van die werksaamhede van die afgelope jaar. Ons is dikwels so vasgevang in die gejaagdheid van die lewe, dat dit soms moeilik is om te glo dat enige werklike vordering gemaak is - en tog, as ons terugkyk aan die einde van 'n vol jaar, het daar wel baie plaasgevind. Die afgelope jaar vir die Suidelike Afdeling was beslis 'n buitengewone bedrywige een, en ek is bly om te kan rapporteer dat daar veel meer hoogtepunte as laagtepunte was.

Within the Southern Division, the relationships between the Constitutions remains harmonious and the time that I spend with my English, Irish and Scottish colleagues is much looked forward to. All of the local Heads of the various Constitutions participated in such events as the inter-constitutional Potjiekos competition, our Quadriplegic Home opening, the visit of the Scottish Grand Master, our



Provincial Grand Master:

Rt. Wor. / S.V. Bro. G R Edwards.

Deputy Provincial Grand Master.

Agb.Br./ Wor.Bro. B Smith

Assistant Provincial Grand Masters:

Agb.Br./ Wor.Bro J Haasbroek

Agb.Br./Wor.Bro. R Heneke

Agb.Br./Wor.Bro. J Peacock

Provincial Grand Secretary.

S.V.Br./ Rt.Wor.Bro. AGA Rhodie.

Posbus/PO Box 10064, Cape Town, 8000

Tel: 021 461 5400

Faks/Fax: 021 465 5537.

Graham Botha Sentrum/Centre.

Bouquet Street, Kaapstad/Cape Town.

glsasouth@yebo.co.za



Spring Ball, the annual Church Service and visits to each other's installations. We are frank and open in our dealings with each other and genuinely enjoy working together as we promote our common cause.

Without question, the low point of the past year was Wor Bro Basil Smith's resignation as Deputy PGM. While I understand the personal pressures that resulted in his decision, Wor Bro Smith is a capable Freemason whose contribution was appreciated and he has been missed. I am indeed fortunate that my PGL Commissioned Officers are exceptionally hard working and willing Freemasons and, as a result, we have been able to minimise any disruption to Southern Division. In mid-year, Wor Bro Jeremy Peacock was invested as an Assistant PGM, and he and Wor Bros Robert Heneke and Johann Haasbroek have proved an inspiring and capable team. Their commitment is, quite frankly, astonishing, and I only hope that the Brethren in this Division realise how fortunate we are to include them in our midst. Similarly, my PGL Officers have excelled this year and I cannot thank them enough for their support and example.

After a number of years as an Assistant PGM, Wor Bro Heneke will be standing down as from today and I would like to take this opportunity to thank him, most sincerely, for all his efforts.

MEMBERSHIP AND LODGES: While there is still much to be done in terms of rebuilding our numbers, we do seem to have stopped the worst of the bleeding and, I am pleased to report, our recruitment efforts are bearing fruit. Most of our Lodges are active and significantly more vibrant than was the case a couple of years ago and, for the most part, our Brethren appear to be enjoying their Freemasonry and are treating our Order with the respect it so richly deserves. The quality of workings has noticeably improved, there is more social and charitable activity at Lodge level and Lodges are working well together for the mutual benefit of their Brethren.

As far as recruitment is concerned, we actively support a more open approach and, while we do not condone men being coerced into joining our Order, we are certainly encouraging our members to promote their Freemasonry and to let their family, friends, associates and the public at large know that we exist - and why. This strategy has resulted in some 45 new members registered as at mid

October, with several more expected before the end of 2005. Year to date, 80% of our Lodges have attracted new members.

We are also urging our Brethren to be more active in terms of retaining current members and, indeed, reclaiming members who have left over the years. In far too many cases, good Freemasons resign for reasons which simply cannot be Masonically acceptable. Lodges are being encouraged to ensure that the causes of any unhappiness are fully resolved and to take steps to bring past members back into the fold.

COMMUNICATION, EDUCATION AND PUBLIC RELATIONS:

Our central email hub, under the most impressive control of Wor Bro Cedric Moroukian, continues to be one of the key foundations on which we are building for the future. Inevitably, some Lodges are far more involved participants than others, but I think that it is true to say that today we have regular interaction with every Lodge in the Division, and that the central hub is making a very real difference to our ability to provide Lodges and members with information. We simply could not be as effective without it!

We are now further extending our communications with the launch of Southern Division's own web site, which will incorporate the Events Schedule and regular updates on local activities. This is the subject of a separate report and I will not, therefore, include more details here. I must, however, thank Web Master, Wor Bro Mike Watkins, and our Web Developers, Bros Armand van der Walt and Andre Prins, for their dedication to this task and for the quality of work that they have performed.

The Education Committee's progress has continued to be restricted by Wor Bro Mike Watkins being overseas. Despite this, he was able to coordinate a most successful formal evening for newer members. We had over 80 Brethren in attendance and some excellent addresses were provided by such Brethren as Wor Bro Sean Morony, Rev Bro Barry Hodgins and R W Bro Alf Rhoodie. We have also started the preparation of a "Masonic Career" book for newer members and this will hopefully be ready for release early in 2006. Education will continue to play a major role in our PGL activities in one form or another.

continues on next page. 

 continued from previous page.

As far as Public Relations is concerned, this has been a successful year and we have had or been included in a variety of articles published in the local or national press. These include two historical articles in the Cape Odyssey, articles on our charitable efforts in such local weeklies as the Tygerberger and HelderPos and more general Masonic articles in Uitsig and Die Wereld. For those of you who may be interested, copies of all of these articles are displayed in the entrance to the PGL offices.

Ons het ook die Masonieke brosjures wat etlike jare gelede in gebruik geneem is, weer bekend gestel en is verheug om te merk dat Broeders gereeld van die leesstof neem op die uitstak in die PGL kantore. Soortgelyke rakke en brosjures sal nou aangebring word in alle tempels in die Suidelike Afdeling.

MASTERS AND WARDENS MEETING:

This was held in March, was well attended and, as always, provided us with valuable input. We also held a thoroughly enjoyable and much appreciated Grand Master's lunch with some of our most senior Brethren. This is the 2nd year that we have held this highly successful event and the feedback gained much assists us in setting our strategies.

MANAGEMENT OF PGL: The office continues to perform most efficiently and our Secretary, R W Bro Alf Rhodie, has earned the respect of our Brethren, both for the manner in which he executes his duties and the wise counsel he is able to provide. I cannot thank R W Bro Rhodie enough for his support and am well aware that, without his assistance, it would be extremely difficult for me to effectively perform my duties as PGM.

Similarly, our Treasurer, Wor Bro Justin Buirski, never fails to amaze me with his knowledge, dedication and enormity of his contribution. He is an unsung hero, without the likes of whom this Division simply could not function – and I hope that he realises just how much his efforts are appreciated. Our finances, while still extremely tight, are under control and our reporting is properly managed. While Debtors remain a concern, there has been a significant improvement as Lodges tidy up their own financial affairs. We have upgraded our PCs and are now making good progress on the implementation of MMS – a Masonic Membership System developed by Wor Bro Chuck Norris in Gauteng. While there are inevitable teething problems, the system's structures are excellent and we are confident

that it will provide us with very real benefits in terms of both our administration and our ability to communicate with our members. On behalf of this Division, I must thank Wor Bro Norris, most sincerely, for his extraordinary efforts.

Exco meetings have been lively and much has been attended to and resolved. Similarly, Manco meetings have been held as scheduled and have fulfilled their basic purpose.

CHARITABLE ACTIVITIES

While the opening of our Home for Quadriplegics was a highlight of the Southern Division year, it is also true to say that our Homes for Seniors have never run more effectively. The various committees under the leadership of such Brethren as R W Bro Andy van Niekerk, and Wor Bros Nic Leary, Jackie Wentzel and Brian Rossouw, perform outstanding work and, when you spend time with the residents, it shows! The much valued relationship with QAWC and Wor Bro Danny Retief has also proved highly effective. I am also delighted at the manner in which individual Lodges are getting involved in supporting our projects. As the Masonic Homes are reviewed in a separate report, I will not provide any further details here.

The 30th Masonic Spring Ball was held at the Goodwood Civic Centre and was yet another memorable evening. As a result, R40.000 was handed over for our Masonic Homes. R W Bro Graham Karstens and his dedicated committee are a credit to our Division and their efforts are much appreciated.

Maynardville was another great success and, while Community Chest's overall turnover was down on the previous year, Freemason's Square was the 9th highest contributor of the 72 participating stalls. Once again, the efforts of Wor Bro Johann Haasbroek and his team bring much credit to the Southern Division.

Our Benevolence Committee, under the chairmanship of Wor Bro Morris Rozen, continues to perform effectively and, while our financial resources are more limited than they ideally ought to be, we do provide significant assistance to those in need. The committee's efforts are much appreciated.



OTHER ACTIVITIES: We participated in the inter-constitutional Church Service, at St Michaels and all Angels in October 2004. Our annual dinner for the PGL Widows was a great success, as was our PGL Officers Xmas Dinner.

In February, we at long last recovered our rightful title in the inter-constitutional Potjiekos competition, with Wor Bro Gus de Wet being awarded 1st prize. A great time was had by all who took part.

Over the past few months Wor Bro Billy Prentzler has been cataloguing our library and archiving the historical records of Southern Division Lodges. He is yet another fine example of an unsung hero whose contribution will have a real impact long after he is no longer involved. Similarly, Wor Bro Mike Darwin has researched and written a book entitled “Exploring the de Goede Hoop Temple and Grounds” which we expect to release shortly – and which should be of interest to anybody involved in using the Temple.

The upgrading of the PGL premises continues in fits and starts but, at the end of a year, much has been done. As all of the enhancements are attributable to the generosity of individuals and Lodges, both in terms of financial donations and their personal time, I guess this project will always be a little difficult to manage. In overall terms, however, I am delighted with progress and most grateful to all involved. With museum and library facilities, temple upgrades and similar initiatives all envisaged for next year, there is still much to be done and we continue to appeal to anybody who is able to assist us to please let us know.

Dit is ook verblydend om te merk dat die toestand van ons tempels oor die algemeen goed na omgesien word. Losie St Jan beplan groot herstelwerk aan hul Malmesbury Tempel, Losie L’Aghulhas Tempel lyk baie netjies en word goed instand gehou, die De Goede Hoop Tempel is in ‘n uitmuntende toestand en Losie Bellville oorweeg en onderhandel tans oor ‘n gesamentlike onderneming met ‘n ontwikkelaar, wat sal lei tot die totale herbou van hul Tempel fasiliteite met baie opwindende moontlikhede.

CONCLUSION: The past year, as I am sure you will agree, has been an interesting one. Much has been achieved – and yet, as always, there is still so much to be done. Nonetheless, we are confident that Southern Division is

headed in the right direction and that, with the assistance of the GAOTU, we will continue to prosper and grow in the years ahead. I thank each and every one of you for the support, guidance and encouragement I receive and look forward to sharing many more Masonic experiences with you in the future.

SMIB

R W Bro Geoff Edwards
Provincial Grand Master – Southern Division





**PROVINCIAL GRAND LODGE:
NORTHERN DIVISION.**

**PROVINSIALE GROOTLOOSIE:
NOORDELIKE AFDELING.**



*Provincial Grand Master:
Rt. Wor. / S.V. Bro. J H Olivier.*



*Deputy Provincial Grand Master:
Agb.Br./Wor.Bro. D J Duncan.*

**Assistant Provincial Grand Masters
Assistent-Provinsiale Grootmeesters**



Agb.Br./Wor.Bro. C Bronkhorst.



Agb.Br./Wor.Bro. H Schaum.

*Assistant Provincial Grand Masters:
Agb.Br./Wor.Bro. S Klopper.*

*Provincial Grand Secretary:
Agb.Br./Wor.Bro. GWJ Casson.*

Posbus/ PO Box 46045,
Orange Grove, 2119
Tel: 011 640 4216 / 011 640 5408
Faks/Fax: 011 640 3915.
Provinsiale Grootloosiesentrum/
Provincial Grand Lodge Centre,
13de Straat 75 13th Street
Orange Grove, Johannesburg 2192



ANNUAL REPORT FOR THE YEAR ENDING 18th June 2005.

Welcome: Most Worshipful, Right Worshipful, Very Worshipful, Worshipful Brethren and Brethren all, and our distinguished Brethren from Sister Constitutions. It is indeed a great honour to welcome you all this afternoon to the Annual General Meeting of the Northern Division. Your presence enhances a warm atmosphere of this afternoon's meeting. Once again, as this is my second year of office, I do sincerely trust that you will enjoy the afternoon with us and return home safely, satisfied that it was a time well spent.

INLEIDING: Dit is tot eer van Die Groot Argitek van die Heelal dat ek vanmiddag my verslag van die aktiwiteite van hierdie Afdeling met u kan deel.

GROOT LOSIE: Soos u bewus is, is die Groot Losie en die Provinsiale Grootlosie Noordelike Afdeling se kantore albei in die Orange Grove Kompleks. Dit verhoog en bevorder die kommunikasie tussen Provinsiale Grootlosie en Groot Losie. Ek vertrou dat hierdie goeie verhouding sal aanhou.

INSTALLATIONS: During this Masonic Year all scheduled installations have taken place. The attendance of Provincial Grand Lodge Officers was of a satisfactory standard, but there is always room for improvement. I feel that the attendance of the Provincial Grand Lodge Officers can improve, especially when Grand Lodge is present at Official call-outs.

The Deputy Provincial Grand Master, Worshipful Brother K M P White was transferred by his employer to Kuala Lumpur in Malaysia. A sabbatical leave of two years was granted. Worshipful Brother D J Duncan was appointed as Deputy Provincial Grand Master, and is certainly filling the position with great efficiency. A number of "Open" Installations took place this year. This format is being well accepted by Provincial Grand Officers as well as by the Lodge members and a positive ambiance is being experienced at all these Installations. This is also an asset to the Division as the Craft has received positive feedback from the public.

Provincial Grand Lodge Executive Committee:

It is with pride that I can report of the dedication and strong support that I enjoy from my Commissioned Officers. From their monthly reports it is noted that they pay regular visits to the Lodges under their jurisdiction. All the Installation ceremonies of Lodges for the next year have already been allocated and processed.

We have now established two Provincial Grand Lodge teams "The Green and Gold Teams" and I am looking forward to the team building and the comradeship of this venture. It will definitely improve the Installation Ceremonies, as the brethren will learn to work together as a team.

The Executive Committee meets every second Monday of the month. The Provincial Grand Lodge Secretary's duties were decreased to a 2-day week in March 2005.

This was implemented so as to reduce the overheads of the Provincial Grand Lodge. It is unfortunate that Worshipful Brother George Cason resigned as Secretary at the end of April 2005. This has placed a much heavier workload on the Assistant Secretary, Mrs. McGee, but with the help of Worshipful Brother Dave Duncan, and the other Commissioned Officers, the office is functioning very efficiently.

PROVINSIALE BESTUURS KOMITEE: Die Bestuurs Komitee ontmoet elke tweede maand – DeDerek na die Uitvoerende Komitee. Die verslae van die Sub-Komitees word behandel en bespreek en ontvang ten minste een week voor die vergadering. HiHiermee wil ek graag die voorsitters van hierdie komitees bedank vir hulle gereelde verslae en teenwoordigheid. Dit is by hierdie vergadering wat die sukses van hierdie Afdeling gemeet kan word.

LODGES: Although there are still Lodges suffering, I am delighted to report that the majority of the Lodges are growing and in a period of four months, twenty-five new members have been initiated. This division is now in the second year of a four-year program to move the Capitation fee to apply to the year of invoicing. I would like to extend my sincere thanks to the Lodges who have complied with this arrangement.

continues on next page.

 *continued from previous page.*

The new Candidate Application form is now available in English and Afrikaans and has been approved by Grand Lodge to be used in all Divisions. I am very grateful to Right Worshipful Brother Piet van Rensburg and Brother Herman Horn for helping with the translation of numerous documents into Afrikaans.

The date for the consecration of the “Lodge of Research” has now been set for the 30th July 2005. This will be one on the highlights of this Division that we have been looking forward to. My best wishes goes out to Worshipful Brother Mark Botha and his fellow Brethren for all the correspondence and effort put into this project to make it a reality.

At the Masters and Wardens Meeting held on the 9th April 2005, the agenda was changed to allow the Lodges to add items to the agenda for discussion. In the past, the Provincial Grand Lodge Executive had dictated to the Lodge members on what was expected of them. The items for discussion received from the Lodges were relevant to the present circumstances prevailing at Lodges. All present participated in the debates and the discussions that followed. The Grand Master Most Worshipful Brother John F Bowen O.S.M. also attended this meeting and I thank you for your participation and address to the Brethren. This meeting was a great success and for the first time in many years, all Lodges, with the exception of one, were able to attend this meeting.

FINANSIES: Die geouditeurde finansiële verslag is hierby ingesluit. Die meerderheid Fondse wat in gesamel word, gaan aan die T.I.M.C. (Transvaal Inter Constitutional Masonic Charity). Die vier hoofde van die konstitusies in Transvaal beheer hierdie fonds. Die Fondse word aangewend vir Pensioene en Studie Beurse. Die noodsaaklikheid vir meer fondse is besig om toe te neem, aangesien meer en meer mense ‘n tekort toon op hulle finansiële begroting, vir daaglikse behoeftes en toenemende stygings in opvoedkundige kostes.

STRATEGIC PLANNING: The Strategic Planning is an on-going project and a living document has been created to coordinate the implementation of the strategic decisions in the day-to-day running of this Division. The last meeting took place at 10h00 on the morning prior to the Masters and Wardens Meeting. It is exciting to note that there were so many new faces present at this meeting, whom had not

attended the previous meetings. Worshipful Brother Isak Heyneke, whom presents the meetings, is always very well prepared and gives excellent and interesting presentations. Group discussions took place, and the feedback received from the groups was of an outstanding high level. The decisions resulting from the topics are now being implemented as part of the successful management process of this Division.

ANDER KONSTITUSIES: Die goeie verhouding wat bestaan tussen konstitusies is vir my baie belangrik. Ek bedank u vir die gereelde utinodigings na die konvokasies en vergaderings en bring ook aan u my dank. Al die konstitusies is vandag hier verteenwoordig en ek vertrou dat hierdie goeie verhouding sal uitbrei in belang van Vrymesselary, in hierdie Afdeling.

INTERNASIONALE BESOEK: Ek was bevoorreg om Losie Jordan Martin No. 673, onder die Grootlose van Pennsylvania in Allentown Amerika in Desember 2004 te besoek. Die Voorsittende Meester Agbare Broer Carl J. Willes het my (na ondersoek) Broederlik in die Losie ontvang. Die Losie het twee Derde Graad werkings (afsonderlik) op die selfde aand gedoen, en die rituel werk was van ‘n uitstaande hoe gehalte. Die werking was soortgelyk aan die Grootlose van Suid Afrika. Die Voorsittende Meester was baie geintreseerd in Suid Afrika en dra sy groete oor aan almal in Suid Afrika. Ek het ook ‘n besoek gebring aan die Groot Losir van Pennsylvania in Philadelphia, maar kon ongelukkig nie deur die gebou gaan nie omdat dit op ‘n Maandag gesluit is. Die Grootlose Sekretaris het my net vlugtig deur geneem en ek was baie beïndruk deur die argitektuur en grootte van die gebou.

LODGE MAKALANI: It was the wish of the Grand Lodge to rotate the Ceremony of Installation amongst the five Divisions, and it is the honour of the Northern Division to perform this duty in 2005. A luxury tour bus has been arranged for the trip to Grootfontein, Namibian. The organization of this event is in the capable hands of the Assistant Provincial Grand Master, Worshipful Brother Heimo Schaum. All the arrangements are running according to schedule.

CONCLUSION: In my report I have strived to give a short summary of the activities of this Division. However there are many activities in this Division which have not



been reported on as it would be impossible to make mention of all of them. These activities are all equally important to the well being of this Division. During my first year of serving as Provincial Grand Master, I have strived to strengthen the communication and relationships between the Lodges and the Province. We have definitely moved forward and the trust of the Lodges has been regained. The Provincial Grand Lodge is there to help, not to criticise. It is my aim this year to emphasize membership enrichment. The most important asset of Freemasonry is it's members. My belief is that if a Lodge has not had any growth in membership or social event during the year, it is in need of urgent attention, for the writing is on the wall.

To my wife Louise, thank you for your patience and continuous support during the years. To Katie Bronkhorst, and the ladies whom assist her with the catering during the year, I would like to extend a very warm thank-you. May the Great Architect of The Universe keep you steadfast and protect you until we meet again.

Right Worshipful Brother Johan HC Olivier
Provincial Grand Master.



Desire Germishuys is the unofficial mascot of Lodge Brits, despite her handicaps, she is full of fun and love. Two years ago, she suffered total kidney failure, and had to be taken to hospital for dialysis every week. At great expense, her parents acquired a home dialysis machine, but this severely curtailed her mobility, being attached to the machine overnight. Lodge Brits held a Golf Day to raise funds, and donations were received from other Lodges whose members had met her. Somebody anonymously settled a doctor's account of R26 000. Last year in November, her mother donated a kidney to her, and our little girl is back. Once the danger of rejection is past, we will again see her at installations and other functions.



*Loge Germania changes it's name to
Germania, Kaiser Frederick Memorial Loge.*



PROVINCIAL GRAND LODGE: CENTRAL DIVISION.
PROVINSIALE GROOTLOSGIE: SENTRALE AFDELING.



Provincial Grand Master:
Rt. Wor. / S.V. Bro. W L F Stander.

Assistant Provincial Grand Masters
Assistent-Provinsiale Grootmeesters



Agb.Br. / Wor.Bro. P J Henning



Agb.Br. / Wor.Bro. A Bronner.

Provinsiale Grootsekretaris.
Provincial Grand Secretary.
S.V. Br/Rt.Wor.Bro.

Posbus/PO Box 31427,
Fichardt Park, 9317.
Tel: 051 522 9677
Faks/Fax: 051 522 9677
pglbloemfontein@netactive.co.za



ANNUAL REPORT FOR THE YEAR ENDING 5th March 2005

JAARVERGARDERING, JAAR EINDIG 5 MAART 2005

Most Worshipful the Grand Master, Right Worshipful, Very Worshipful, Worshipful Brethren and Brethren all it is indeed a great honour to welcome you all to this annual general meeting of the Central Division. Your presence adds lustre to this meeting and makes the events of today more important.

A special word of thanks to all the Brethren that have travelled great distances to be here, you can be assured that your dedication is a true sign of your commitment to Freemasonry.

INLEIDING:

Dit is met dank aan die Opperboumeester van die heeal en in alle nederigheid dat ek vandag weereens my jaar verslag kan voorle oor die gebeure van die laaste jaar.

GRANDLODGE:

It is an honour and privilege to have The Grand Master and the Grand Lodge Officers here today, I hope that you will enjoy the meeting today and that you will leave here knowing that the Central Division has reached a turning point and that matters can only improve. Gedurende die Jaar het ons besoek ontvang van die Grootmeester en sy Ampsdraers by bevestigings. Ek verseker julle dit word hoog op prys gestel en ek hoop en vertrou ons sal weer die voorreg he om julle by ons te ontvang. Ek het ook die voereg gehad om deel te neem aan die verrigtinge met die inleiding van Seerverligte Broer Roland Hinrichs as Assistant Grootmeester, ons wens u alle voorspoed en geluk toe met u aanstelling.

I have had a lot of support from Grand Lodge throughout the year for which I am grateful. A big word of thanks to the Grand Lodge Secretary, Very Worshipful Brother Barry Johnson and his assistant Moira for their support and assistance that we at all times receive from them.

PROVINCIAL EXECUTIVE:

Unfortunately Worshipful Bro. Cas Fourie resigned due to personal reasons and I had to appoint a new Assistant.

We have our executive meetings scheduled for this year and I have arranged that my two Assistants and I will meet after every Provincial annual general meetings to discuss matters and to have feed back on the Lodges where they are the Patrons. The other Provincial Grand Lodge Officers are all fired up for the coming year and have promised their full support.

PROVINCIAL MANAGEMENT:

The attendance at these meetings is improving, but not yet what I would like it to be, we will see what the New Year brings. I would like to thank all the Brethren who do attend regularly and can be relied upon, to my Assistants thank you for your assistance during the year.

PROVINSIALE GROOTLOSIE AMPSDRAERS:

Die bywoning van Provinsiale Ampsdraers was bo verwagting goed, maar ongelukkig was daar 'n paar wat glad nie hulle kant gebring het nie en hulle moes maar die spit afbyt. My dank aan all die Broers vir julle bywoning en ondersteuning en ek sien uit na die nuwe jaar en die volhoubare bywoning en ondersteuning van alle ampsdraers. Aan al die nuwe Provinsiale Grootlosie Ampsdraers wil ek se baie dankie en ek weet ons gaan goed saam werk.

LOSIES:

Oor die algemeen gaan dit goed by die Losies. Party Losies blom terwyl ander an die rant van verlep staan maar ek hoop en vertrou hierdie jaar 'n ommekeer sal bring in die voortbestaan van hierdie Losies. Dit is met baie Hartseer dat ek u moet meedeel dat Losie Unity No. 18 besluit het om sy oktrooi in te handig. Met Broers wat ver van die Losie bly die naaste een 75km en met 90% van die lede al bejaard moes iets op die ou ent ingee.

Al die Losies behalwe een het hulle kapitasie fooie vir 2003/ 2004 ten volle betaal, daarvoor kan ek die Meesters van hierdie Losies nie genoeg bedank nie.

Met groot hartseer moes ons ook afstand doen van 'n wonderlike man Seerverligte Broer Piet Brits, wat 'n

continues on next page.



continued from previous page.

groot leemte laat.nie net in die Sentrale Afdeling nie maar in Vrymeselary in die geheel. As daar 'n toegewyde Vrymeselaar was was dit Oom Piet.

'n Familie dag was gehou by Kroonpark wat ek glo deur almal geniet is, ons het 'n potjiekos kompetisie gehou en sommer lekker saam gekuier, baie dankie aan Broer Alf Bronner en sy goeie dame Chrissie vir die organiseering van hierdie dag.

PROVISIALE SECRETARIAT EN TESORIER:

'n Groot groot dankie aan Seerverligte Broer Frikkie Botha, wat die leisels by Seerverligte Broer Piet Brits oorgee het na sy skielike afsterwe. Oom Piet soos hy aan almal bekend was het sy eie manier gehad van dinge doen en dit was geen maklike taak om die dinge van provinsie weer te laat vlot loop Intussen is Seerverligte Broer Frikkie Botha se goeie dame Denese met Leukemia gediagnoseer en hy moes al sy aandag aan haar skenk, met die gevolg dat alle provinsiale aangeleenthede tot 'n ampse stilstand gekom het, maar met die hulp van my goeie dame Peggy wat Broer Frikkie bygestaan en gehelp het, het ons dinge weer aan die loop gekry. Ongelukkig en met groot hartseer is Denese toe einde Julie oorlede en dit het 'n groot leemte in hierdie Provinsie gelaat want sy was soos 'n moeder vir ons almal gewees. Seerverligte Broer Frikkie Botha ek kan u nie genoeg bedank vir u volharding harde werk en opoffering in 'n baie moeilike tyd in jou lewe om hierdie Provinsie weer vlot te laat funksioneer

SISTER DIVISIONS:

Thank you to all the sister divisions for your continued presence at our Annual General Meeting, and for your friendly and welcoming way in which we are received when attending your Annual General Meetings. We look forward to each meeting it is like meeting old friends again after a long absence. I was privileged to partake in the proceedings of the investiture of Right Worshipful Brother Louis Fourie as Provincial Grand Master of the Eastern Division; I wish you and your Officers a fruitful term of office.

SISTER CONSTITUTIONS:

I had the privilege and honour of attending the installation of the new District Grand Master of the English Constitution in the Central Division

CONCLUSION:

I again pledge my loyalty and that of the Lodges in my Division to the Grand Lodge we will work together for the continued goodwill of Freemasonry
May all our actions be examples of what Freemasonry is about and may we inspire others by our deeds to want to join this noble order.

Ek wil aan al die dames van die Sentrale Afdeling baie dankie se vir die wyse waarop hulle die mans bystaan want sonder julle ondersteuning sal hulle nie kan voortgaan met hulle verpligtinge as Vrymesselaars nie.

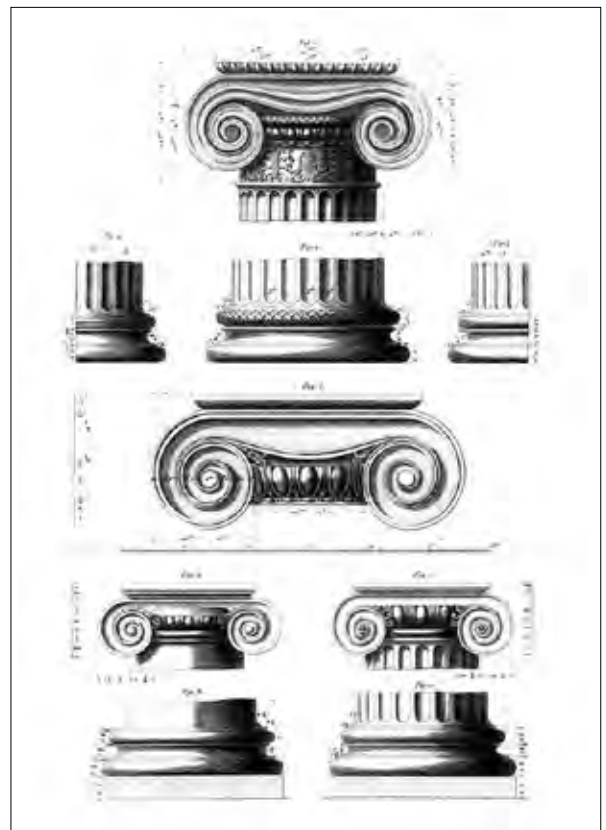
To all the Brethren returning to their homes, may you have a safe journey back.

En laaste maar nie die minste nie, my dank aan my vrou Peggy vir haar ondersteuning, sonder haar bystand sou ek nie kon volhou met al my verpligtinge nie.

In closing I would like to leave you with this :“ Make sure the waves you make in the lives of others are the right kind”

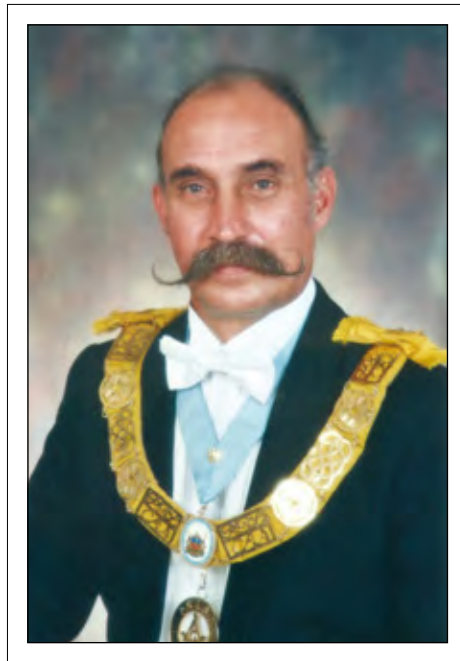
W.l.j. Stander

Provinsiale Grootmeester.





PROVINCIAL GRAND LODGE: EASTERN DIVISION.
PROVINSIALE GROOTLOOSIE: OOSTELIKE AFDELING.



Provincial Grand Master:
Rt. Wor. / S V Bro. L.J. Fourie.

Assistant Provincial Grand Masters
Assistent-Provinsiale Grootmeesters



Agb. Br. / Wor. Bro. CJC Inngs.



Agb. Br. / Wor. Bro. V Muhlenbeck.

Provinsiale Grootsekretaris.
Provincial Grand Secretary.
Agb. Br. / Wor. Bro. EA Cabill.

Posbus/PO Box 33013,
Montclair 4061.
Tel: 031 462 4815
Faks/Fax 031 462 8468
pgsced@cybertrade.co.za



ANNUAL REPORT FOR THE YEAR ENDING 5th March 2005

JAARVERGADERING, JAAR EINDIG 5 MAART 2005

Most Worshipful the Grand Master, Most Worshipful, Right Worshipful, Very Worshipful, Worshipful Brethren and Brethren.

Namens die Oostelike Afdeling wil ek u almal welkom heet hier by ons vir die Jaarlikse Algemene Vergadering. Ek hoop dat u almal die middag saam met ons sal geniet. For those Brethren who have seen their way to travel long distances to attend this meeting, a big than you. We in this Division appreciate your commitment. At the conclusion of this meeting may you have a safe journey back to your loved ones. I will now proceed to table this Division's Report on its activities during the past twelve months.

GRAND LODGE:

This Division was honoured during October 2004 to have our Grand Lodge Annual General Meeting here by us in Durban. At the Grand Lodge Annual General Meeting our Grand Master, Most Worshipful Brother J T Bowen OSM obligated and invested Right Worshipful Brother R C Hinrichs as Assistant Grand Master.

Ons, in hierdie Afdeling, is besonders trots op u, en hoop en vertrou dat ons nog steeds u volle ondersteuning en samewerking sal kan geniet in hierdie Afdeling. Ons wens u net die beste toe in u nuwe amp.

We thank our Grand Lodge for the Gala Dinner they hosted, to entertain our guests from France (Lodge Bartholdi). To those Brethren who worked behind the scenes to make this evening a success, I thank you one and all.

Gedurende die jaar is ons by verskeie geleenthede met die teenwoordigheid van die Oud-Grootmeester, ons huidige Grootmeester of sy gevolmagtigde ampsdraers vereer. Ek kan u verseker dat u altyd in hierdie Afdeling welkom is.

To the Grand Lodge Officers in this Province, thank you for your support and guidance. However, we must not lose

sight of the important roles that you play in the affairs of Province and the Lodges; the Brethren look up to you and are proud of you.

PROVINCIAL GRAND LODGE:

To our Most Worshipful Grand Master, once again thank you for the honour you bestowed on me, when you obligated and invested me as Provincial Grand Master to this Division. It is my intention to continue building on the foundation laid for me by my predecessor and lead this Division with zeal and devotion in all her endeavours.

1. PROVINCIAL GRAND LODGE MANAGEMENT COMMITTEE:

This committee meets bi-monthly, and the attendance is good. It is at these meetings where the interests of the Provincial Grand Lodge and Grand Lodge are discussed, and then forwarded to the Lodges, to ensure that all concerned are fully informed at to what happens in the Division and our Grand Lodge.

2. PROVINCIAL GRAND LODGE EXECUTIVE COMMITTEE:

Die uitvoerende Komitee vergader voor elke Bestuurs Vergadering om besluite oor noodsaaklike aangeleenthede te neem. My dank aan die lede vir hul toegewydheid, en die wyse waarop die vergaderings geskied.

The dedication and commitment of the Assistant Provincial Grand Masters in visiting the Lodges under their guardianship must be commended, and we are grateful for their input and efforts.

3. PROVINCIAL GRAND SECRETARY:

It is with sadness and loss of words, that I inform you all that the Provincial Grand Secretary, Worshipful Brother Eric Cahill has decided to stand down from this very important office as of today. Worshipful Brother Cahill, you and your good lady Augusta, thank you very much for the sterling work, dedication and commitment you have



given to this Division over the past four years. We hope that you enjoy your retirement, and that you will be spared for each other for a long time – God bless you both. Agbare Broeder Coenraad van der Westhuizen, daar lê vir jou 'n groot uitdaging vorentoe, en ek wens u alle voorspoed toe en weet dat jy sal voortbou op jou voorganger met dieselfde toegewydheid.

During November, our computer system crashed, and all or most of our data was lost. I am happy to report that a new system was purchased and with the help of Right Worshipful Brother Schuitemaker we are back on line and up to date with all our data. Thank you Right Worshipful Brother Schuitemaker.

4. FINANCES:

The finances of the Division are satisfactory and we were able to meet all our obligations. Expenses are measured against budget. I must thank the Provincial Grand Treasurer, Worshipful Brother Rodney Schreuder, for all his efforts and for the Financial Statements which he will present later on during the meeting.

5. IMMOVABLE PROPERTY:

The house has been re-carpeted and the roof trusses and ceilings have been sprayed to prevent woodborer infestation.

6. BENEVOLENCE:

Various forms of benevolence took place in the Division and it is pleasing to report that the Lodges were just as active in their areas. This Division once again joined forces with our Sister Constitutions, via the Inter Constitutional Service Committee, to make up Christmas hampers and distribute them to the poor. This year we managed to distribute 720 Christmas hampers. Thanks to those who assisted. Monies were donated to the Malvern Children's Home to purchase wrapping paper for Christmas. The children of the Home gift wrapped gifts with the paper and managed to raise R8,500.00 for the Home. Well done to all the kids. Lodge Theophilus donated R4,000.00 to the Flower Foundation from monies raised at their Annual Golf Day. Lodge Meerensee combined with the Sister Lodges in Richards Bay, hosted a Boating Carnival and raised R30,000.00 which was donated to Zululand Hospice.

7. MASONIC EDUCATION:

Our Annual Provincial Grand Lodge Seminar was held during November and our guest speaker, Worshipful Brother Mark Botha, delivered a presentation on Roslyn Chapel. We were also honoured by the presence of our Most Worshipful Grand Master J T Bowen. To our presenter and all who helped to make this an enjoyable day – a big thank you.

8. GRAND LODGE MASONIC COURSE:

After many months of hard work, this course has now realized and I am pleased to report that Worshipful Brother Frans Roodt from Lodge Meerensee No.118, is the first student to register for the course.

9. VERGADERING MEESTERS, OPSIENERS, SEKRETARISSE, PENNINGMEES-TERS EN LEERMEESTERS:

Die Jaarlikse Vergadering is goed bygewoon deur die Losies in die Afdeling. My opregte dank aan al die Broeders vir die insette wat gelewer is en die positiewe houding wat by die vergadering geopenbaar is.

10. SUSTER AFDELINGS:

Dit was 'n vooreg om hierdie jaar die Jaarvergaderings van al die Afdelings by te woon. Dankie aan die Broeders wat my na genoemde vergaderings vergesel het. 'n Opregte dank en waardering aan my kollegas vir die gasvrye wyse waarop ons ontvang is. Laastens, maar nie die minste nie, wil ek my kollegas van Suidelike Sentraal en Noordelike Afdelings bedank vir hul bywoning en deelname tydens my inhuldiging as Provinsiale Grootmeester – dit word hoog op prys gestel.

11. SISTER CONSTITUTIONS:

The harmonious relationship that exists between the Provincial Grand Lodge (Eastern Division) and our Sister Constitutions keep growing year by year. I am extremely proud to be associated with you. 59 functions were attended either by myself, or a representative and I want to express my thanks in the manner we were received. To the Sister Constitutions who have awarded Honorary Membership on me, thank you very much, I will endeavour to fulfil my commitment to your Constitutions. To the District Grand Master of the English Constitution, Right Worshipful Brother Graham Grenfell, District Grand Master of the Scottish Constitution, Right Worshipful Brother Barry Fine and Provincial Grand

continues on next page. 

 continued from previous page.

Master of the Irish Constitution, Right Worshipful Brother Peter Marx, thank you for attending my Installation Ceremony and participating in the ceremony, it is highly appreciated. It was a privilege and honour to attend the Installation Ceremony of Brother Robert Neil Young as Right Worshipful District Grand Master of the Scottish Constitution in Natal. On behalf of the Members of Provincial Grand Lodge (Eastern Division), we wish you all the best during your term of office and I am sure that you will continue along the path of your predecessor, whom we have learnt to love and to respect. It is my sincere wish that we continue to build on our present relationship for many years to come.

12. PROVINSIALE GROOTLOSIE AMPSDRAERS:

Die meerderheid Provinsiale Grootlosie Ampsdraers het hulle pligte bevredigend uitgevoer, maar daar is vele ruimte vir verbetering.

A word of thanks to all the members (as well as members of Grand Lodge and Lodges) who traveled to Lodge Makalani in Namibia for their Installation Meeting. The Installation Ceremony was carried out by this Division, to those who participated in the Ceremony, thank you Brethren. Past Provincial Grand Junior Warden Rank was awarded to members of Lodge Makalani by this Division:

- Worshipful Brother Stapelberg
- Worshipful Brother Bredenkamp
- Worshipful Brother Greef

To the officers retiring from office today, thank you for your service and support and hope to call on you in the not too distant future. To the incoming Provincial Grand Lodge Officers, I welcome you on board, and express my gratitude and thanks. Tackle the responsibilities assigned to you with absolute commitment. This Division expects only the best from you.

13. LOSIES:

Dit gaan goed met die Losies in die Afdeling. Van die Losies toon 'n groei wat verblywend is. Sekretarisse van Losies moet seker maak dat alle korrespondensie vanaf Grootlosie en Provinsiale Grootlosie sorgvuldig deurgelees word en dan dit deur te voer na die lede vir hul aandag. Korrespondensie vanaf Losies is nie na wense nie, en ek maak 'n beroep op die Sekretarisse om seker te maak dat

alles in orde is voor versending. Broeders daar is nie ver-skoning nie, kommunikasie bly tog immers 'n belangrike deel van ons Orde. Daar is by 'n Bestuurs Vergadering besluit om nie Losie Noordelike se oktrooi terug te neem nie, maar om dit 'n Daglosie te maak en hopenlik sal dit beter gaan.

The Combined Meeting of all the Lodges in this Division was held in Pietermaritzburg and our hosts were Lodge Dromedaris. A First Degree working was performed. Once again we were honoured by the presence of our Most Worshipful Grand Master J T Bowen accompanied by his two Assistant Grand Masters. In future, all combined meetings will fall under the direct control of Provincial Grand Lodge, who will be responsible for the allocation of workings to the Lodges. Brethren, this is the showpiece of our Division and without the total co-operation from all Lodges our objective will not be attained.

Lodge Neerlandia was visited by Lodge Bartholdi from France, who carried out an Installation Meeting in French. It was a wonderful experience and a great evening was enjoyed by all. To the members of Lodge Neerlandia, this Division is very proud of you, you handled the arrangements with great enthusiasm – thank you for all your efforts.

14. MEMBERSHIP:

We have not been so fortunate this year under review. Two members passed to the Grand Lodge above and one Brother has relocated to New Zealand. There is a definite upswing and some of the Lodges have up to five applications to join as members.

15. CONCLUSION:

My first six months as Provincial Grand Master has been a wonderful learning curve in all spheres and I am sure, with a lot of hard work and commitment from all the members in this Division, we can make a difference by making use of the greatest gift implanted in Man – the will to press forward, in spite of the obstacles that lie ahead. By this I mean members should try and steer clear from apathy which is so often displayed we must realize what it is doing to our fraternity! Too often we hear our senior members claim that they have served our Craft long enough and that it is time for others to take over – to them I reply that service to our Craft never ends.



**PROVINCIAL GRAND LODGE:
EASTERN CAPE DIVISION**

**PROVINSIALE GROOTLOOSIE:
OOSTELIKE KAAP AFDELING.**

**Annual Report Of The Provincial Grand
Master, Eastern Cape Division.**

**Jaarverslag Van Die Provinsiale
Grootmeester, Ooskaapafdeling**

2004 – 2005

A 9th February 2005. Most Worshipful the Grand Master, Right Worshipful, Very Worshipful, Worshipful Brethren and Brethren. A hearty welcome to you all to the third Annual General Meeting of the Eastern Cape Division. To all the Brethren who have traveled long distances to be present this afternoon, a very special Eastern Cape welcome, thank you! Have a safe journey back to your loved ones. I have pleasure to report on the activities of our Province.

GROOTLOOSIE:

Gedurende die jaar het ons verskeie besoeke van die grootmeester of van gevollmagtigde ampdraers ontvang. Dit was vir ons 'n groot eer en voorreg. Baie dankie vir jul opofferings.

PROVINCIAL GRAND LODGE:

Business management meetings were held regularly and the attendance was excellent.

Die Provinsiale Groot Losie ampsdraers het met toegewyde bywonings en entoesiasme my taak vergemaklik. Agbare Broeders ek bedank julle.

Worshipful Brother Mark Hiles, our Provincial Grand Master of Ceremonies, a special word of thanks to you. Our Masters and Wardens meetings were well supported.



*Provincial Grand Master:
Rt. Wor. / S V Bro. J C Greyling.*

Provincial Grand Secretary.

Agb.Br. / Wor.Bro. J.C Greyling (Jnr).

Posbus/PO Box 2591,
Noordeinde/North End.
Tel: 041 484 5557
Faks/Fax: 041 484 6905

SEKRETARIAAT:

Ons administrasie het baie goed gefunseer. Baie dankie ann Agb. Br. J.C. Greyling (jnr).

SISTER DIVISIONS:

During this year I attended the Annual Meetings of the Central, Northern and Southern Divisions. Due to unforeseen circumstances, I could not attend the instal-



lation of Rt. Wor. Br. Louis Fourie, Provincial Grand Master, Eastern Division. My sincere apologies to him. A special word of thanks to my colleagues of the other Sister Divisions for the hospitality they showed to my wife and me at their functions.

SISTER CONSTITUTIONS:

The co-operation between all the constitutions is exceptionally well. We will be having a joint venture, 15 April 2005; all proceeds will be donated under the name “Freemasons of Port Elizabeth” to Aurora Special Care.

LOSIES:

Al die Losies in hierdie Afdeling funksioneer goed, die Losies toon almal ‘n groei. Hul rituale werk is baie good tot uitstekend.

LIDMAATSKAP:

Gedurende die jaar het ons 4 inwydings gehad and 3 aansluitende lede, maar 6 bedankings en 3 lede aan die dood afgestaan.

OBITUARIES:

Three Brethren were called to higher services: Wor. Br. M. Banks – Lodge Coelacanth, Wor. Br. C.G. Ferreira – Lodge Bartholomeus Diaz and Br. R.E. Strydom – Lodge Bartholomeus Diaz.

TEN SLOTTE:

My innige dank aan die Groot Argitek van die heeal vir sy meniguldige seeninge wat hy oor ons uitgespreek het. Broeders van hierdie Afdeling my innige en opregte dank vir jul toegewyde ondersteuning met manne van julle inbors kan en sal dit net goed gaan met ons Provinsie. Laaste maar nie die minste my dankbaarheid teenoor my Vrou, Thea, vir haar ondersteuning ten alle tye. Namens haar en myself baie dankie en almal vit jul gebede en woorde van opbeuring en oproepe gedurende my Seun, Francois se siekte.

SMIB/MDSW

*S/V Br. J.C. Greyling.
Provinsiale Grootmeester, Ooskaap Afdeling*



Making Good Men Better Ones

Freemasonry was never a refuge for fallen men in need of reformation. It doesn't safe souls, cure alcoholism, reform straying husbands, or put chiselling CEO's back on the road to honesty. In fact its rules and customs are especially designed to keep such men *out*. Freemasonry has always had standards of conduct for members and hopefulls.

In time of changing standards of morality and behaviour, Masonry raises the bar. Its principals are designed to encourage its members to better fathers, sons, husbands and neighbours, while not forcing any particular religious or political agenda upon them.

Freemasons encourage each other to be moral and upright and every Mason is under the obligation to help, aid and assist Brother Masons and their families. Thats sense of honesty and responsibility extends to the whole community.

People throughout history have accoused Masonry and other “secret societies” of being elite. *Elitism* is defend as belonging to a small group that has more power, social standing, wealth or talent than the rest of society. Freemasonry does not exclude men from its ranks because of their social, racial and economic status. But it *does* expect them, after they are members, to be the very best workers, parents and citizens they can possible be. Beyond that, Masonry binds its members to the concepts of honour, duty and humanitarianism. If this is elitism, most men would benefit from it and society would certainly benefit if more men had those qualities.

From: Freemasons for Dummies by Christopher Hodapp 32°

Space donated by ZTM Construction (Pty) Ltd.



THE SUPREME GRAND ROYAL ARCH CHAPTER OF SOUTH AFRICA

DIE OPPERSTE GROOTKONINKLKE GEWELFKAPITTEL VAN SUID-AFRIKA

Established ~ 1969 ~ Gestig



SV Metg. / ME Comp. P.J. Naudé



SV Metg. / ME Comp. N Klein.



SV Metg. / ME Comp A G Rhodie

The Grand Master:

Most Wor. / H.E. J T Bowen O.S.M

Groot Eersteprinsipaal / Grand First Principal:

ME Comp / SV Metg P J Naude

PO Box / Pobus 282, MIDDELBURG 1050

Tel: 013 243 5076 / 083 793 5076

Groot Tweedepriinsipaal / Grand Second Principal:

ME Comp / SV Metg N Klein

PO Box / Pobus 17075, GROENKLOOF 0027.

Groot Derdeprinsipaal / Grand Third Principal:

ME Comp / SV Metg A G Rhodie

1 Arnhem Avenue, MONTE VISTA 7460

Grand Scribe Ezra / Grootskriba Esra:

ME Comp / SV Metg A van Niekerk

PO Box / Pobus 30633, TOKAI, 7966

ANNUAL REPORT OF THE GRAND FIRST PRINCIPAL OF THE SUPREME GRAND ROYAL ARCH CHAPTER OF SOUTH AFRICA.

JAARSVERSLAG VAN DIE GROOT EERSTEPRIINSIPAAL VAN DIE OPPERSTE GROOT KONIKLIKE GEWELFKAPITTEL VAN SUID-AFRIKA

BOUQUET STREET, CAPE TOWN 13TH AUGUST 2005

It is with an immense feeling of warmth that I wish to extend a very warm and hearty welcome to all my Companions present, at this, the thirty sixth annual Convocation of the Supreme Grand Royal Arch Chapter of South Africa.

Especially, I want to extend a word of welcome to our Grand Master, Most Worshipful Brother, John T. Bowen OSM and all other distinguished Officers. It is our sincere wish that your attendance will be memorable and an enjoyable occasion to all of you.



Companions, our Grand Master and a number of Companions have come all the way from the Northern part of our country to attend this annual Convocation, in the City of Cape Town, the cradle of Freemasonry in this country. To our Grand Master and those Companions from up north, our sincere appreciation, not only for their presence, but also for the effort they put forward to be present here today.

Companions, looking at the number of Companions present here today, fills me with gratitude, but can you imagine what a wonderful scene it would be having double the number present. Your immediate thought most probably might be that it is impossible, but is it? On previous occasions, I have reminded you that there are worthy men, with strong moral principles, waiting out there, ready to join our fraternity. Let it be the objective of each and every one of us to bring only one of these men to Freemasonry and, by doing so, we can easily achieve our goal, doubling the number of Companions present at our future Convocations. At the same time Companions; we will also contribute to the strengthening of our Craft Lodges, the foundation of our whole Masonic structure.

Companions, before we continue, let us for a moment, remember those Companions whose labour here on Earth was called off by the TTALGMH and with whom we will, in this life, labour no more. Their memory will however live on in the hearts of us all. Our sincere condolences to the loved ones left behind and we pray to TTALGMH for peace and comfort in their sad bereavement.

GRAND LODGE:

Before continuing. I must mention that to us, as Royal Arch Masons, the relationship with our Grand Lodge is of great importance. Today, it is my pleasure and privilege to report that the excellent relationship between the Grand Lodge of South Africa and the Supreme Grand Royal Arch Chapter of South Africa continued under our present Grand Master, Most Worshipful Brother John T Bowen OSM. Most Worshipful Sir, I thank you for your endeavours to promote Royal Arch Masonry wherever the opportunity exists.

During the past Masonic year, much has been achieved in strengthening our relations. I am most grateful to announce that Grand Lodge has now acknowledged the First Grand Principal as a full member of Grand

Committee with the same privileges that any other member enjoys. Grand Lodge also decreed that the First Grand Principal might, on all occasions, wear his Royal Arch collar with Grand Lodge regalia.

CHAPTERS:

In many of the towns and villages in South Africa, freemasonry flourished a decade or two ago. Unfortunately, due to many factors, this has changed and many Lodges were closed down to the detriment of all four Royal Arch Constitutions in the Country. It is in the light of this that the situation within our Chapters should be assessed. Looking at the interim reports, received from our Grand Superintendents, it becomes evident that in most of our Chapters, we are experiencing a zero growth in numbers. With the exception of one or two Chapters, membership remains more or less constant. It seems that all our new exaltations are followed by resignations. Chapter Fiat Lux, No 8, in the Eastern Cape appears to be exception. In my previous report I mentioned the challenge our Grand Superintendent, Most Excellent Companion A G Rhoodie had put to the Most Excellent Zerubabel to increase the membership of the Chapter. Excellent Companion J Greyling Snr took up this challenge and at the annual Installation Convocation, during April this year, no less than twelve officers lined up to be obligated and invested. We wish to congratulate Excellent Companion Greyling with the success he has achieved. Should our Grand Superintendents not perhaps challenge our Most Excellent Zerubabels to equal or better this wonderful achievement? Chapter Unity, No 22, is one of those Chapters going through a tremendously difficult time. The good news however is that Excellent companion F J Botha has taken it upon himself to try and revive the Chapter. The first attempt was a decision taken to move the Chapter from Bloemfontein to Koffiefontein. According to Excellent Companion Botha, there already is a possibility of six new candidates. Should moving a Chapter from one town to another be a solution to its problems, this option must be seriously considered.

PROVINCIAL GRAND CHAPTERS:

I wish to thank our Grand Superintendents, Most Excellent Companions A Rhoodie and R Harris, most sincerely for the manner in which they have discharged their duties, sometimes under very difficult circumstances. To Most Excellent companion Richard Harris, our gratitude for his efforts put forward in the process of amalgamating

continues on next page. 



continued from previous page.

the Central and Northern Divisions. I am wholly aware of the time and cost he put into this amalgamation process. As far as the standard of ritual presentation, at Installation Convocations, is concerned, the following.

From my personal observations, I am duly satisfied with the standard of the Southern Division, but as far as the Northern Division is concerned, and now the Excellent Companions must forgive me as I am going to be quite frank, there is definitely room for improvement. It is most certainly of vital importance that our Provincial Grand Chapter Officers should perform installation ceremonies with pride and dignity.

Unfortunately, due to personal reasons, Most Excellent Companion Harris was compelled to relinquish the office of grand Superintendent after serving only one year. At the annual Convocation of the Northern Division during June, the Deputy Grand Superintendent, Most Excellent Companion JJ Brits was installed as Grand Superintendent. We believe that, Most Excellent Companion Brits will, with great competence, continue where his predecessor left off. We noticed that Most Excellent Companion Brits had included several officers from the previous Central Division in his team, for which we are grateful. We wish the Northern Division and all its Officers a bright future.

In the Southern Division we have today, seen Most Excellent Companion G Sumner being installed as Grand Superintendent as Most Excellent Companion A Rhodie has been appointed Third Grand Principal. We wish to express our sincere gratitude towards Most excellent Companion Rhodie for the good work he has performed as Grand Superintendent and I look forward to working with him as Third Grand Principal. We congratulate Most Excellent Companion Sumner on his appointment and we wish him not only an enjoyable, but also a rewarding term of office.

ADMINISTRATION GRAND CHAPTER:

The smooth administration of our Supreme grand Chapter is owed to the efforts, dedication and competence of our Grand Scribe Ezra, Most Excellent Companion Andy van Niekerk OSM, MSA. Most Excellent Companion allow me to thank you most sincerely for your diligence in maintaining a high standard of administration within our Supreme Grand Chapter. As you all most probably know,

Most Excellent Companion van Niekerk OSM, MSA is also responsible for looking after the financial side of grand Chapter and, Companions, as you will notice from the financial statements, it is clear that our finances are sound and in very good hands. Most excellent companion, I assure you that working with you is indeed a great pleasure.

SUPREME GRAND COMMITTEE:

According to our regulations, Supreme Grand Committee must meet bi-annually. the first meeting took place in Cape Town on the 4th May this year. My appreciation to Most Excellent Companions B G Lindeque OSM, R Harris and JHC Olivier who came to Cape Town specifically to attend this meeting, our Supreme grand Committee met this morning for the second time this year. I would to thank all the members of this committee for their positive approach at meetings and for their valuable input in the interest of Royal Arch Masonry. we are also most grateful towards Most Excellent Companions BG Lindeque OSM and M Levin OSM, MSA and the sub committees they chaired. These committees did marvellous work, which made decision making that much easier for Supreme Grand Committee.

REGULATIONS:

I believe that by now, every Companion is in possession of a copy of the regulations of Supreme Grand Chapter. Although we now have approved regulations, our Supreme Grand Committee is constantly monitoring these regulations and any recommendation for an alteration will be seriously considered, if in the interest of our Grand Chapter and Royal Arch Masonry.

RELATIONSHIP WITH OTHER CONSTITUTIONS AND SISTER GRAND CHAPTERS:

From the interim reports received from our Grand Superintendents, it is obvious that we still maintain an excellent relationship with the other four Constitutions in the Country and that reciprocal visits still continue. We deem this relationship very important and I urge our Grand Superintendents to maintain a healthy relationship with their counterparts in the other Constitutions and to encourage continued visits to these constitutions. The representatives of other Chapters abroad are now in place and I again thank Most Excellent Companion van Niekerk for all his time and work put into this regard. I sincerely hope that the Companions appointed as repre-



sentatives, have by now, established communication with their counterparts abroad. Companions, it is of the utmost importance to establish and maintain communication. At the Installation Convocation of Chapter De Broederband No 10, I was greatly honoured when our representative in the Netherlands, Most excellent companion Dick van Bentveld, personally presented me with my certificate as representative for the “Orde van het Heilige Koninklijk Gewelf onder het Grootkapittel in De Nederlanden”.

FINANCES:

As already mentioned, the finances of our Supreme grand Chapter are sound and well administered by our Grand Scribe Ezra who also holds the Office of Grand Treasurer. Companions, be assured that our Grand Scribe Ezra is very careful in spending your Grand Chapter’s money and this contributes largely to the absolute minimum increases in our capitation fees. At the Annual Convocation of the Northern Division, a donation amounting to R2000 was received which amount will be added to our benevolent fund. We sincerely thank our Companions of the Northern division for the donation they made possible.

GRAND CHAPTER OFFICERS:

As our Provincial Grand Chapters, at this moment, are experiencing a shortage of officers, it would be rather unfair unto them should we appoint their Officers as grand Chapter officers. The result is a very slow movement of Officers through the ranks of Grand Chapter. This leaves us with a situation were it is necessary to keep Grand

Chapter officers in the same position for more than one or two terms. I really tried my utmost best to promote our Grand Chapter officers and I sincerely hope that they will appreciate the situation. Excellent Companions, I thank you once again for your patience and your willingness to remain in the same position more than one term. I welcome our newly appointed grand Chapter officers, but at the same time, I sincerely hope that they have given careful consideration on their appointments before accepting them.

CONCLUSION:

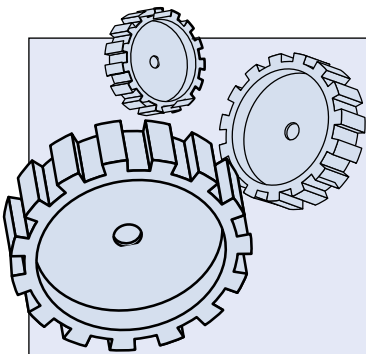
Companions, if we believe in Royal Arch Masonry, then now is the time that we should pick up the plans and be claimants of the crowbar, the pick and the shovel. Come, let us together enter the quarries and with this equipment, let us hew the building blocks we so desperately need in the building of our Order. Yes, let nothing stand in our way of carrying out that portion of the work we are responsible for, be it ever so humble.

Companions, allow me once again to express my sincere gratitude towards you for being present here today and from now on, may we all have the privilege of labouring in the presence of TTALGMH.

SMIB

Most Excellent Companion P J Naude

First Grand Principal.



GAUTENG AUTO ENGINEERING

Tel. or Fax: (01393) 20897

P.O. Box 1431
Bronkhorstspuit
1020

59 Prinsloo Street
Bronkhorstspuit

- Services
- Overhauls
- General Repairs
- Electric Fences

GRAND CHAPTER OFFICERS FOR 2005/2006

The Grand Master / Die Grootmeester	M.W.Bro JT Bowen	OSM/ODV
First Grand Principal / Eerste Grootprinsipaal	M.Ex.Comp./S.Verh.Metg. P J Naude	
Second Grand Principal / Tweede Grootprinsipaal	M.Ex.Comp./S.Verh.Metg. N Klein	
Third Grand Principal / Derde Grootprinsipaal	M.Ex.Comp./S.Verh.Metg. AGA Rhodie	
Grand Superintendent / Grootsuperintendent (N/D/NA)	M.Ex.Comp./S.Verh.Metg. JJ Britz	
Grand Superintendent / Grootsuperintendent (SD/SA)	M.Ex.Comp./S.Verh.Metg. G Summer	
Grand Scribe E & Treasurer / Grootskriba E & Penningmeester	M.Ex.Comp./S.Verh.Metg. A van Niekerk	
Grand Scribe Nehemia / Grootskriba Nehemia	M.Ex.Comp./S.Verh.Metg. JW Whittacker	
Grand Scribe Nehemia / Grootskriba Nehemia	M.Ex.Comp./S.Verh.Metg. GF Ackermann	
Grand Master of Ceremonies / Grootseremoniemeester	M.Ex.Comp./S.Verh.Metg. JHC Olivier	
Grand Regalia Custodian / Grootregaliabewaarder	M.Ex.Comp./S.Verh.Metg. J Grobbelaar	
Grand Principal Sojourner / Hoofgrootbesoeker	M.Ex.Comp./S.Verh.Metg. RT Loxton	
Second Grand Sojourner / Tweed Grootbesoeker	M.Ex.Comp./S.Verh.Metg. BJ Neuhaus	
Grand Steward / Groot Hoofmeester	M.Ex.Comp./S.Verh.Metg. G Karstens	
Grand Steward / Groot Hoofmeester	M.Ex.Comp./S.Verh.Metg. R Wentzel	

THE MERITORIOUS SERVICE AWARD TO ROYAL ARCH FREEMASONRY. VERDIENSTELIKE DIENSTOEKENNING AAN KONINKLIKE GEWELFVRYMESSELARY.

Awarded for outstanding service to Royal Arch Masonry and limited to a maximum of seven (7) at any one time.

SV Metg / ME Comp	Kroukamp	JJ	Oud-Eerste Grootprinsipaal / Past First Grand Principal. 1985
SV Metg / ME Comp	Menego	Br	Oud -Adj. Eerste Grootprinsipaal / Past Deputy First Grand Principal. 1986
SV Metg / ME Comp	Levin	M	Oud-Eerste Grootprinsipaal / Past First Grand Principal. 1988
SV Metg / ME Comp	van Niekerk	A	Oud-Eerste Grootprinsipaal / Past First Grand Principal. 1988
SV Metg / ME Comp	Kaestner	SP	Oud-Grootskriba E. / Past Grand Scribe E. 1988
HE Bro./ MW Bro.	Gasson	SR	Oud-Eerste Grootprinsipaal / Past First Grand Principal 1989
SV Metg / ME Comp	Smit	HPJJ	Oud-Eerste Grootprinsipaal / Past First Grand Principal. 1994

GRAND SUPERINTENDENTS / GROOTSUPERINTENDENTE - PAST & PRESENT

Southern Division / Suidelike Afdeling.

†	Bell	EA		Low	A	
	Franken	P		Prentzler	WF	
†	Lewis	N	MSA/TVVD	Rhodie	AGA	
	Loat	JA		Wapnick	AL	

Northern Division / Noordelike Afdeling

†	Brink	DG		Menego	BR	MSA/TVVD
	Burnard	FW		Naude	PJ	
	Cronje	JP		Roussouw	FP	
	Esterhuizen	WJ		Smit	HPJJ	MSA/TVVD
†	Gould	L		Wilkins	JJM	

Central Division / Sentrale Afdeling

	Alexander	AAR		Janse van Rensburg	PL	
	Dreyer	JH		Watkinson	PN	
†	Oorlede / Deceased.					



PAST GRAND CHAPTER OFFICERS OUD-GROOTKAPITTEL AMPSDRAERS

Oud-Grootmeesters / Past Grand Masters.				Oud-Eerste Grootprinsipale / Past Grand First Principals.			
	Bauser	RS	ODV/OSM		Alexander	AAR	
†	Conradie	E		†	Conradie	E	
	Conradie	SR	ODV/OSM	MSA/TVD	Gasson	SR	TVD/MSA
	Groenevald	CB	ODV/OSM		Kroukamp	JJ	
	Lindeque	BG	ODV/OSM		Levin	M	TVD/MSA ODV/OSM
					Rudram	N	
					Smit	NPJJ	TVD/MSA
Oud-Pro-Eerste Prinsipale / Past Grand Pro First Principals				Oud-Adj-Eerste Grootprinsipale / Past Deputy Grand First Principals			
†	Daleboudt	HM			Brits	PRJM	
†	Geisler	RA			† Esterhuizen	WM	
†	Strauss	JJ			† Franken	P	
					Wilkens	JJM	
Oud Tweede Grootprinsipale / Past Second Principals.				Oud Grootskribas E / Past Grand Scribe E.			
	Louis	SL			Ackerman	GF	
	Pistorius	FWT			Nieuwenhuizen	FFG	
	Prentzler	WF					
Oud Derde Grootprinsipale / Past Grand Principal.				Oud Grootskriba N / Past Grand Scribe N			
	Low	A				M	
Oud Grootseremoniemeesters / Past Grand Master of Ceremonies.				Oud Groothoofbesoekers / Past Grand Principal Sojourners.			
	Mould	R			Boshoff	FD	
	Myburgh	PWA					
	van der Merwe	P					
Oud Grootseurwage / Past Grand Janitor				Oud Groothofmeesters / Past Grand Stewards.			
	Kommel	B			Gruss	B	(Holland, Belgium)

HONORARY GRAND CHAPTER OFFICERS ERE-GROOTKAPITTEL AMPSDRAERS

Honorary Deputy Grand First Principal / Ere-Adj-Groot Eersteprinsipale							
	Andrew	CM			Fincher	DB	(Ireland)
	Blazer	M					
Honorary Grand Master of Ceremonies / Ere Grootseremoniemeester.							
	Gillan	AR			Peloso	JA	
	Kantor	W	(Israel)				



PAST GRAND CHAPTER RANKS CONFERRED OUD GROOTKAPITTEL RANGE TOEGEKEN

Past First Grand Principals / Oud Eerste Grootprinsipale			
Salem	JEA		
van Niekerk	A	OSM/ODV	MSA/TVD
Past Assistant First Grand Principals / Oud Assistant Eerste Grootprinsipale			
Fouche	PS		
† Kaestner	SP	MSA/TVD	
Past Third Grand Principal / Oud Derde Grootprinsipale			
Clemens	JI		
Crous	RH		
Feigel	FT		
Greef	PA		
Hancke	LeR		
Hayward	ER		
Kukkuk	JW		
Marais	FJ		
Papavarnavas	PS		
Wellish	W		
Past Third Grand Sojourner / Oud Derde Grootbesoeker			
Sumner	G		

Past Deputy First Grand Principal / Oud Adjunk Eerste Grootprinsipale		
Menego	BR	MSA/ODV
Past Second Grand Principal / Oud Tweede Grootprinsipale		
Staal	FB	
Watkinson	PN	
Past Grand Scribe N / Oud Grootkriba N		
Blitz	J	
Spalding	DH	
Past Grand Master of Ceremonies / Oud Grootseremoniemeester		
Ziervogel	CF	
Past Grand Organist / Oud Grootorrellis		
Hollevoet	PFM	
Past Grand Stewards / Oud Groothofmeesters		
Casson	G	
Gush	MR	
Van Niekerk	C	

REPRESENTATIVES: SISTER GRAND CHAPTERS. VERTEENWOORDIGERS: SUSTER GROOT KAPITTELS.

Grand Chapter.	Representative here.	Representative there.
Groot Kapittel.	Verteenwoordiger hier.	Verteenwoordiger daar.
Belgium	RH Crouse	J Corbett
Canada	BL Neuhaus	L Levitt
England	PJ Naude	Grand Scribe E
France	WF Prenzler	S Humbert
Germany	A van Niekerk	E Petersen
Greece	JP Cronje	J Tsamis
India	AAR Alexander	DD Udeshi
Ireland	N Klein	TA Dereck Martin
Israel	M Levin	J Salem
Mexico	GS Karstens	Oscar J Salinas
Netherlands	PJ Naude	D van Bentveld
Nova Scotia	AGA Rhodie	L McNiven
Scotland	HPJJ Smit	R Stevenson
South Australia	JJ Britz	GM Hand
State of New York	FWT Pistorius	AR Gillam
New South Wales	A Low	JS Williams
Victoria	PL Janse van Rensburg	NJ Best.

The Supreme Grand Royal Arch Chapter of South Africa: Chapter meeting & Installation dates, 2005/2006.

CHAPTER	No	Founded	Location	Division	Meeting when	Meeting on	No	Installation	Special Date	M.E.Z.	Contact	Tel.
Mutual	1	1953	Cape Town	Southern	Feb, Aug, Nov	Wednesday	Last	May		G Summer	WF Prentzler	072 217 5209
Bellville	2	1953	Bellville	Southern	Feb, Apr, Jun, Aug, Dec	Thursday	2nd	October		C Heckman	H Archer	021 531 1539
Unie	3	1958	Odendaalsrus	Northern	Apr, Jul, Oct	Monday	1st	January	3rd Sat	F I Els	PJT Henning	082 821 0340
Drommedaris	4	1970	Durban	Northern	Mar, Jun, Nov	Wednesday	2nd	September	1st Sat	DJA Erasmus	HL Botha	031 466 4514
Johannes Truter	5	1970	Paarl	Southern	Mar, Jun, Sep, Dec	Thursday	1st	August		JL Snyman	JL Snyman	021 873 1365
Koh-I-Nor	7	1970	Pretoria	Northern	Jan, Apr, Jul	Thursday	3rd	October		BL Neuhaus	AJ Stevens	012 807 4721
Fiat Lux	8	1971	Port Elizabeth	Southern	Feb, May, Aug, Nov	Monday	4th	April	3rd Sat	JC Greyling	MR Gush	041 365 3724
De Broederband	10	1971	Pretoria	Northern	May, Aug, Nov	Wednesday	2nd	February		J Render	C van Niekerk	012 460 6993
Royal Protea	11	1972	East London	Southern	Feb, May, Aug	Wednesday	3rd	April	3rd Fri	L E Wolsink	EM Kretzmann	083 737 4984
Orange	12	1972	Rustenburg	Northern	Jan, Mar, Jul, Sep, Nov	Wednesday	4th	May		W A King	CF Richter	084 512 7505
Horeb	13	1972	Krugersdorp	Northern	Feb, Apr, Jun, Aug, Nov	Tuesday	3rd	September		PFEM Hollevoet	PWA Myburgh	011 762 2142
Witbank	14	1973	Kinross	Northern	May, Months with 5x Tuesdays	Tuesday	3rd	October	1st Sat	JP Naude	PJ Croucamp	083 793 5076
Fidelity	15	1973	Orange Grove	Northern	Feb, Apr, Jun, Nov	Tuesday	2nd	August		MF Ramos	LE Williams	082 670 7387
De Goed Kaap	16	1973	Cape Town	Southern	Jan, Mar, May, Jul, Nov	Wednesday	3rd	September		J Haasbroek	N Leary	021 705 2675
Suidrig	18	1975	Bellville	Southern	Feb, Apr, Jul, Sep	Thursday	4th	November		W Heyns	A Pienaar	082 337 8624
Unity	22	1985	Koffiefontein	Northern	Feb, May, Aug, Nov	Saturday	2nd	July	3rd Sat	W Kleinhaas	FJ Botha	053 754 0357
Bellville Cryptic Council	2	1988	Bellville	Southern	Jan, May, Jul	Thursday	5th	October	5th Thurs	W Heyns	G Ackerman	021 851 1612
Eending Maak Mag Lodge and Council	6	1988	Orange Grove	Northern		Tuesday	5th			BL Neuhaus	DJ Nieuwoudt	082 558 5275
Eending Maak Mag Cryptic Council	6	1988	Orange Grove	Northern		Tuesday	5th			BL Neuhaus	DJ Nieuwoudt	082 558 5275
De Goede Kaap Lodge and Council	16	1988	Bellville	Southern	Jul, Sep, Nov	Thursday	2nd	March		J Snyman	W Prentzler	072 217 6209



ANNUAL REPORT OF THE GRAND SUPERINTENDENT, SOUTHERN DIVISION.

JAARSVERSLAG VAN DIE GROOTSUPERINTENDENT, SUIDLIKE AFDELING.

2004/2005

Introduction: Most Worshipful Grand Master, Most Excellent First Grand Principal, Most Excellent, Excellent and Companions all, welcome to this special annual meeting of the Provincial Grand Chapter, Southern Division. Your presence with us today is greatly appreciated and is a tribute to our Division, myself and my successor who's Installation will take place after this abbreviated annual meeting. Today marks the end of my sojourn as Grand Superintendent of the Division, an experience that will remain with me throughout my Masonic career. The support of each Companion in this Division has been much appreciated and bodes well for those who will follow in my footsteps.

MEMBERSHIP:

In this day of falling numbers in the Craft, the concomitant loss of membership was sure to impact on the Royal Arch. Happily, however, the news is positive. At the end of 2004, the increase of only one in membership was disappointing but an additional eight members having joined in 2005 has pushed up our increase in membership to a respectable nine members. This represents an 8% of our membership and is a trend, which we should endeavour to sustain. But once again the tendency of young members to fade away like morning dew must be addressed or we will continue marking time rather than moving forward.

CHAPTERS:

When addressing Chapters I must sadly report that the attempts to establish a Chapter in Queenstown seem to have all but evaporated. Petition forms were supplied to those voicing interest but no progress has been seen. Of our Eastern Cape Chapters, Chapter Fiat Lux has made its presence felt under the leadership of M.Ex. Comp. Johan Greyling Snr. We, who know M.Ex. Comp. Greyling, in his guise as the Provincial Grand Master are not in the least surprised. Four new members in 2004 and four already in 2005 make this Chapter the jewel in the Southern Division's crown. Chapter Royal Protea had a difficult year. The MEZ was



Most Excellent Companion A G A Rhoodie.

transferred away soon after his Installation and a period of inactivity followed. Happily a new MEZ has since filled his place and we are already seeing the Chapter starting to grow.

All Chapters in the Cape are functioning adequately rather than spectacularly. It is almost a case of "gain one, lose one" as regard membership and although many Chapters remain busy, not much profit is being enjoyed.

Our Cryptic and Mariners Chapters are still benefiting from having the cream of our Chapters join them and continue to show good progress. Many young Companions in these Chapters are vying for high office, which is exciting.

FINANCES:

I am certain that the wisest of my appointments when taking office was to appoint M.Ex. Comp. A van Niekerk as my treasurer. He took a then chaotic accounting system and transformed it into the professional computerised system, which we can be proud of. Not only have I been able



to analyse the Division's financial affairs at the touch of a button, but also the quality of presentation has made decision making so much easier.

The division's finances are in an extremely healthy position as will be borne out when our treasurer presents his financial report. Thank you M.Ex.Comp. van Niekerk for your support over my term of office and congratulations on a job well done.

ADMINISTRATION:

I have searched the book of proverbs to discover a verse which may say, "blessed is he who has a good Scribe Ezra" without success although one would hope that such a verse does exist. Wit a knowledgeable and proactive Scribe Ezra, as is found in the person of Ex.Comp. Harry Archer, the load is light and the pathway smooth. He has brought his considerable knowledge of the Royal Arch into play and for this, I thank him.

PG CHAPTER OFFICERS:

The support I have received from my team of Officers during my term of Office has been most gratifying. The quality of their work has been excellent. My Master of Ceremonies, Ex.Comp. Lotter has been the backbone of the team and his demeanour and confident direction on the floor has been the root cause of much of the success we have achieved in our Ceremonial work during the year. Although a number of the team will be standing down this year, the nucleus will still be available to my successor, which will benefit him greatly with ensuring continuity.

SISTER CONSTITUTIONS:

I think that when we view the support we have received from our sister Constitutions today, it will speak volumes in respect of the excellent relationship we enjoy with them. The frequent visits undertaken by M.Ex.Comp. Sumner to our Sister Constitutions has borne a rich harvest and your presence here today my Most Excellent colleagues are proof of that. Long may the Brotherly relationship we have enjoyed over the years, continue.

My participation in the Installation of M.Ex.Comp. Spijker as Grand Superintendent of the Irish Provincial Grand Chapter, was the highlight of my year and once again demonstrates the high esteem in which our Constitution I held by our Sister constitutions.

SLUITING:

Vandag le ek my Amp neer en graag wil ek almal dedank vir hul ondersteuning wat hierdie drie jare so onvergeetbaar het. Aan u S.V.Metgesel Naude, dat u my in die eerste instansie a Groot Superintendent aangestel het en aan u al die Oud Eerste Groot Prinsipale wat my so mooi bygestaan het, my uiterste dank. Ek moet erken dat ek die uitdaging geniet het en ek voel dat wel trots kan voel op wat ons bereik het. Die Suidelike Afdeling sal net sterk bly as ons nuwe lede van goeie gehalte van ons Losies kan bekom. Hierdie Broers is wel beskikbaar.

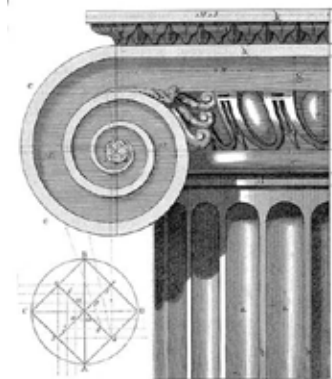
- Gaan soek hulle uit
- Prikkel hul belangstelling
- Maak hul lede van ons order.

Alf Rhoode

Grand Superintendent, Southern Division.



Most Excellent Companion G F Sumner.





ANNUAL REPORT OF THE GRAND SUPERINTENDENT, NORTHERN DIVISION.

JAARSVERSLAG VAN DIE GROOTSUPERINTENDENT, NOORDELIKE AFDELING.

2004/2005

Most Worshipful grand Master, Most Excellent First Grand Principal, Most Excellent Companions, Excellent Companions, Companions all, I welcome you here today for this, our annual meeting of the Provincial Grand Chapter, Northern Division.

Today marks the end of my first year as Grand Superintendent and, with deep regret, my last. I wish to thank the First Grand principal for the great honour to have held this office. My thanks also to the Past Grand Superintendent, M.E.Comp. J PCronje for his support and continuous advice. To all the Provincial Grand Chapter officers for their support and friendship during my term in office. To Ex.Comp. Johan Britz for your support and assistance with the integration of the Central Division with the Northern Division.

At the Installation of de Broederband Chapter, the Past Pro First Grand Principal of the Netherlands, M E D van Bentveld. I had the privilege of accompanying him, where he conferred the rank of representative of the Netherlands on JP Naude, our First Grand Principal.

MEMBERSHIP: The membership is still on an increase, but very slow. Some Chapters are actually experiencing a decrease of members.

CHAPTER FIDELITY: This seems to be the second strongest in the Province. At nearly every convocation, there is a candidate.

CHAPTER UNITY: This Chapter is still experiencing tremendous difficulties in getting off the ground. It has only 4 members and they have requested that the Chapter be moved from Bloemfontein to Koffiefontein where they hope to obtain 6 new members. They have already applied to Province for membership. The Chapter to date has still not had its Installation.

CHAPTER HOREB: This Chapter is also suffering without new candidates but has a strong Past to keep it going on an even keel.



Most Excellent Companion Richard Harris.

CHAPTER WITBANK:

This Chapter appears to still be weak and the move to Kinross has not improved matters.

CHAPTER KOH-I-NOR:

This Chapter is in dire straits and if they fail to obtain Candidates or new members, they will not be able to survive. The members they do have do not appear to attend regular meetings.

CHAPTER UNIE:

This Chapter had a poorly attended Installation. I was informed that there were new members in the pipeline, which have subsequently disappeared.

CHAPTER DE BROEDERBAND:

This is still the strongest Chapter in the province. It has candidates at all of the meetings and the members attend regularly.



CHAPTER ORANGE: Thos Chapter once again still keeps rolling along with its ups and downs, but still obtains a candidate every now and then.

SAM GREENMAN: The Chapter has handed back their Charter and monies but still there remains a possibility of re-opening. We hope that they will reopen in the near future.

EENDRAG MAAK MAG: Lodge in Council / Cryptic Council. They have had a candidate at all their recent meetings

OFFICERS: We are still in a weak situation. The Free Sate members still need a lot of rehearsing while the Transvaal companions are improving gradually.

SISTER CONSTITUTIONS: My relationship with all the other Constitutions appears to be on a sound footing and hopefully this will continue.

CONCLUSION: To my successor, E.Comp. Johan Britz, I wish him all the very best for the coming year and for the future and I am sure that he will receive all your support and friendship.

R Harris
Grand Superintendent, Northern Division.



Most Excellent Companion JJ Britz.



Acoustimed Hearing Services

Locally manufactured digital hearing aids with the amazing

Noize Wizard

Lloyd E. Williams: (011) 794-5423

SUPREME COUNCIL FOR SOUTH AFRICA

What follows is a report of the salient points and main activities of the Supreme Council for South Africa in the year 2005.

FEBRUARY 2005: A meeting of Sovereign Grand Inspectors General, 33o was held in the Grand Lodge Centre, Orange Grove, on 25 February, for the purpose of conferring the 33rd Degree to three Illustrious Brethren who were also admitted as Active Members of the Supreme Council for South Africa. On 26 February a combined meeting of the Executive and Active members was held; various topics were discussed and the positive input of the attendees set the tone for the Year ahead.

APRIL 2005: The Annual General Meeting and Conference of the Supreme Council for South Africa was held, as is now customary, at the Aventura Resort, Gariep Dam. The AGM was once again a Forum for members to advance and propose matters beneficial to the Supreme Council. This was done in an orderly manner and a number of valid suggestions were accepted and adopted.

“The upholding of the Tenets of the Ancient and Accepted Scottish Rite in everyday life” was the theme of the 2005 Conference. On this subject M. Ill. Bro. Peter Brits, 33o did an excellent Power Point presentation then proceeded to organize the audience into Teams, including the Ladies, who were given a specific topic to discuss among themselves. Each Team then elected a Leader who reported back to the general audience their thoughts and proposals. This turned out to be an outstanding success with an unprecedented active participation by all attendees.

At a Meeting of the Active Members of the Supreme Council, the introduction of the 4th Degree of the A.A.S.R. was unanimously adopted. The first Ceremonial Meeting in this Degree will be held in early 2006. (Possibly in Cape Town).

A Gala Dinner, with music and live entertainment, was held on the Saturday evening. The food was excellent and the music conducive to serious dancing of Waltzes, Polkas and Rock 'n Roll (for some).

A vote of thanks, from all participants, was expressed to



the Convener, M.Ill.Bro.Pieter Greeff, 33o and his wife Marie for the hard work and organization which contributed to a pleasant stay at Gariep and to the great success of the event.

MAY 2005: The Sovereign Grand Commander, representing the Supreme Council for South Africa, attended the XVII World Conference of Supreme Councils, held in Sydney, Australia, from the 22 to 27 May 2005. This turned out to be a very well organized and well attended event with 29 Supreme Councils represented. The Ancient & Accepted Scottish Rite – A vision for the Future - was the theme of the Conference with particular reference to:

1. The Rite and the Craft working towards a closer relationship.
2. Advancement in the Rite preparing for leadership.
3. Ne plus ultra – learning to become a philosopher.
4. Symbols seeking interpretation achieving a meaningful Ritual.

This Supreme Council submitted a paper on the last topic.



This will form part of the records which will be published by the Supreme Council for Australia.

The Business part of the Conference was transacted by four Commissions, namely:

1. Accreditation Commission (The function of this Commission is to decide on the regularity of the attending Supreme Councils).
2. Commission to set the date and venue of the next Conference (It was agreed that the Supreme Council for Canada will host the XVIII Conference in May 2010).
3. Obituary Commission.
4. Proposals and Resolution Commission.

The Sovereign Grand Commander (South Africa) was part of the Proposals and Resolution Commission which comprised the Sovereign Grand Commanders of following Supreme Councils: England & Wales, Portugal, Canada, Romania, Argentina and an observer from the SC for Australia. Each Chairman of Commission reported back to the assembly during the Second Plenary Session on Friday 27th May 2005. In summary this was a very informative and successful Conference and presented all participants with the opportunity to renew acquaintances, greet old friends and establish new relationships.

SEPTEMBER 2005: The Sovereign Grand Commander, M.P. Bro. Mauro Milanesi, 33o and the Lieutenant Commander P. Bro. Thomas W. Vogler, 33o, attended the celebrations and festivities on the occasion of the 75th Anniversary of the foundation of the Supreme Council for Germany, held in Berlin. A very interesting and historical programme held the attention and appreciation of the many representatives from other Supreme Councils.

NOVEMBER 2005: A proposal by the Executive of the Central Region, to consolidate Three Chapter into One, under the name of Chapter Vrystaat, was approved by the Supreme Council. This Chapter was consecrated in Kroonstad on the 19 November 2005 and is now looking forward to growth and prosperity.

INTERNATIONAL: The Supreme Council for South Africa was regularly formed on 29 November 1992 in conformity with the Grand Constitutions of 1786 and is now recognized and in amity with the following Supreme

Councils: Argentina, Australia, Austria, Belgium, Brazil, Canada, Chile, Colombia, Costa Rica, Croatia, Cuba, Czech Republic, Dominican Republic, Ecuador, France, Germany, Greece, Guatemala, Honduras, Hungary, India, Iran – in exile, Israel, Italy, Ivory Coast, Luxemburg, Mexico, The Netherlands, Panama, Paraguay, Peru, Philippines, Poland, Portugal, Romania, Russia, Slovenia, Spain, Switzerland, Togo, Turkey, U.S.A. Northern Jurisdiction, U.S.A. Southern Jurisdiction, Uruguay, Venezuela.

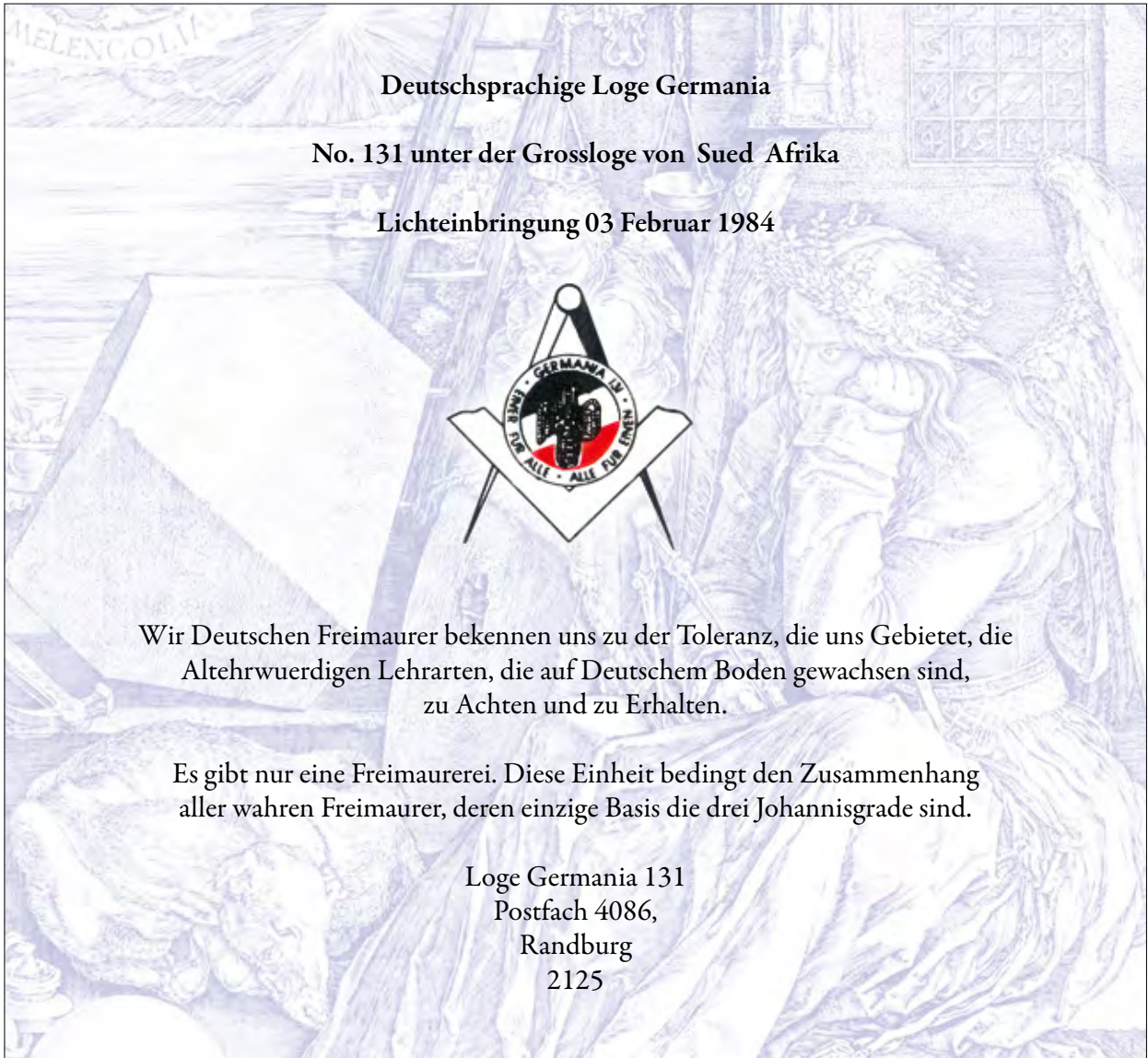
GENERAL: Our Chapters and Consistories continue to hold meetings on a regular basis and, once again, have achieved an encouraging growth in membership. This demonstrates a heightened interest in the teachings and philosophy of the Ancient and Accepted Scottish Rite and stimulates contemporary thinking on truths that have reached us through the Centuries and Millennia.

We are in the very best of relationships with Grand Lodge and the Provincial Grand Lodges who are very supportive of our Order. We hold regular meetings with the Grand Master, M.W. Brother John T. Bowen and the immediate past Grand Master, (now Grand Secretary General of the Supreme Council) M.III. Bro. B.G. Lindeque, 33o in order to continue the mutual understanding in the promotion of the interests of Freemasonry in South Africa.

We also thank the Grand Lodge of South Africa for the space given to us in this Prestigious Publication.

Mauro Milanesi, 33o
Sovereign Grand Commander





Deutschsprachige Loge Germania

No. 131 unter der Grossloge von Sued Afrika

Lichteinbringung 03 Februar 1984



Wir Deutschen Freimaurer bekennen uns zu der Toleranz, die uns Gebietet, die
Altehrwuerdigen Lehrarten, die auf Deutschem Boden gewachsen sind,
zu Achten und zu Erhalten.

Es gibt nur eine Freimaurerei. Diese Einheit bedingt den Zusammenhang
aller wahren Freimaurer, deren einzige Basis die drei Johannisgrade sind.

Loge Germania 131
Postfach 4086,
Randburg
2125



~ ABECO ~
THE NAME THAT REALLY HOLDS WATER



Abeco Tanks is a specialist designer, manufacturer and installer of sectional steel water storage tanks and support towers for elevated tanks

Abeco galvanised sectional steel tanks offer water storage that is:
SAFE, HYGIENIC & COST EFFECTIVE

During 23 years of operation several thousand installations have been successfully completed in many different countries. We have the resources to undertake projects of any size anywhere. Supply and installation service is offered worldwide.



Contact Us:

- e-mail: abeco@icon.co.za
- Tel: +27 11 616 7999
- Fax: +27 11 616 8355
- P.O. Box 751781,
Gardenview 2047, South Africa
- 1 Eastgate Lane,
Bedfordview, South Africa



